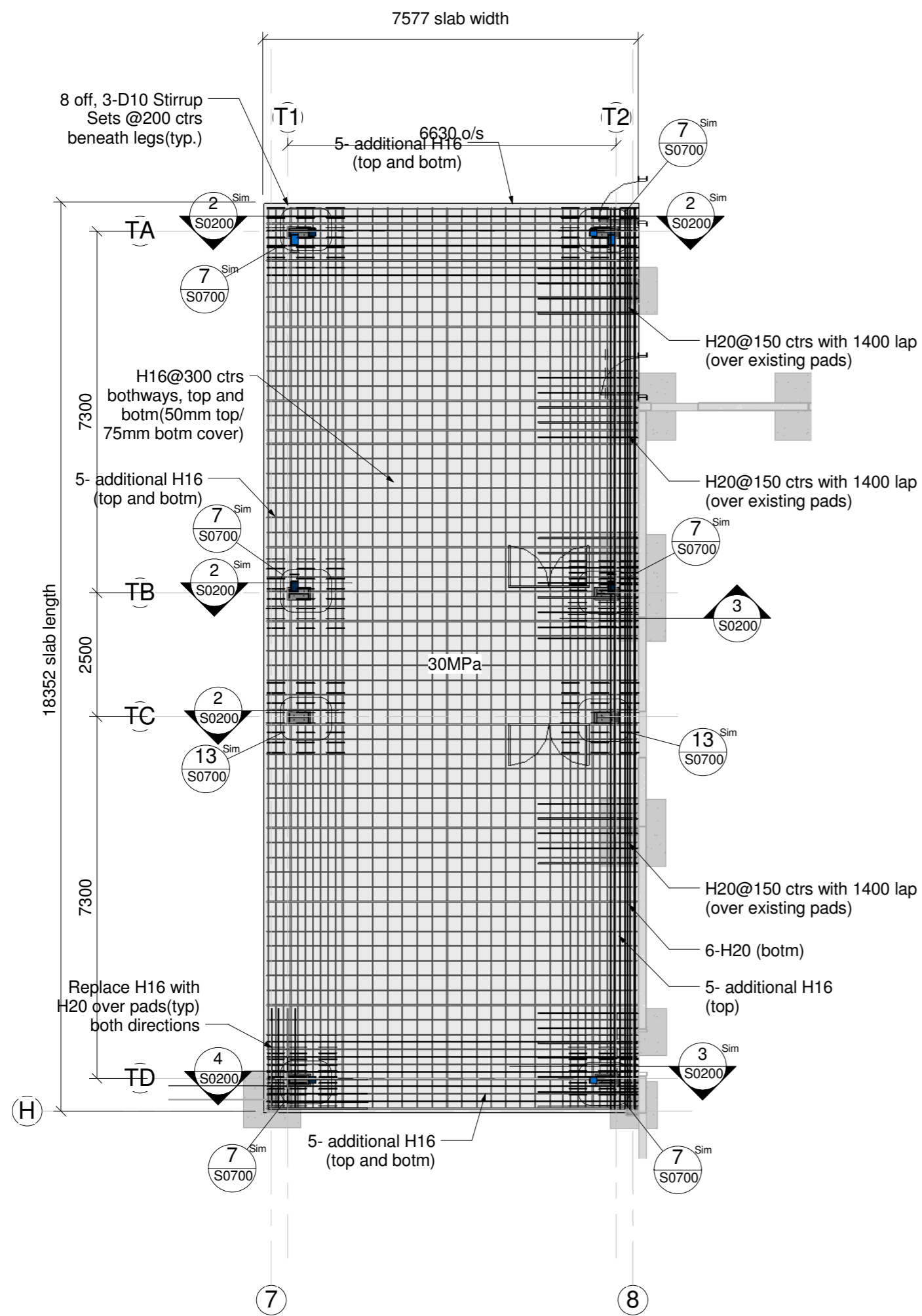
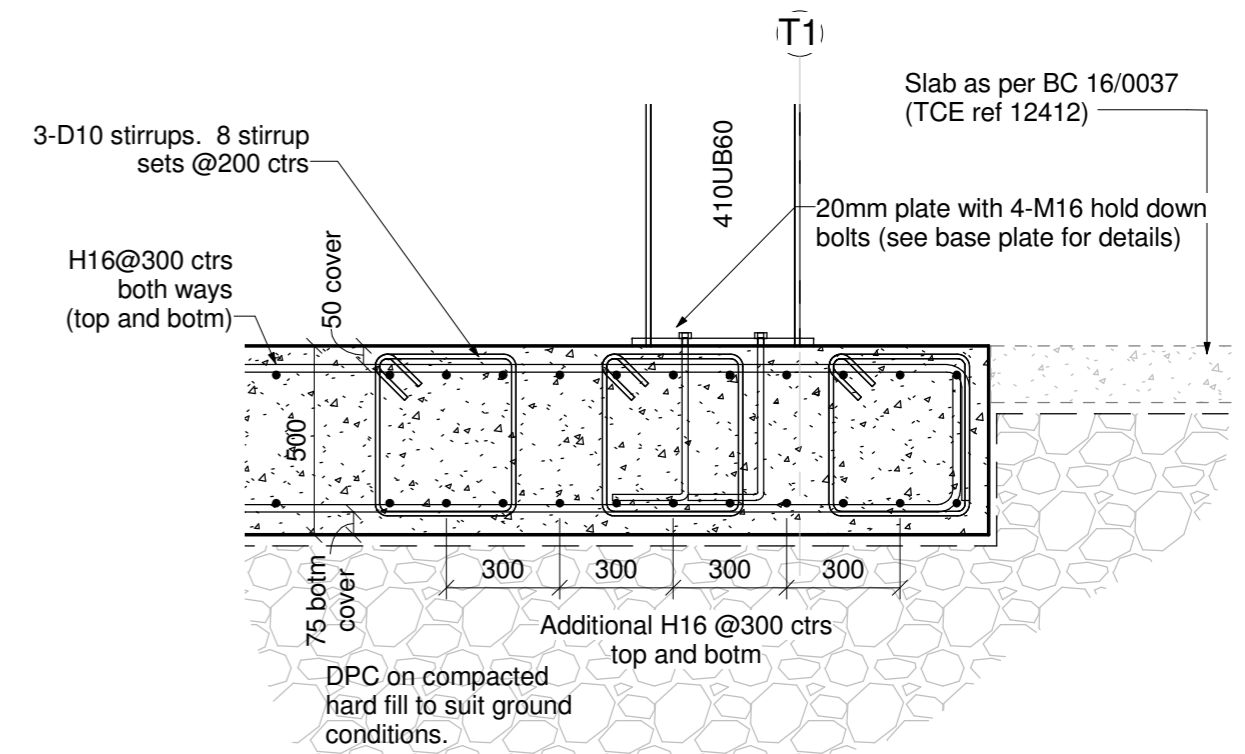


① 3D Pres Model

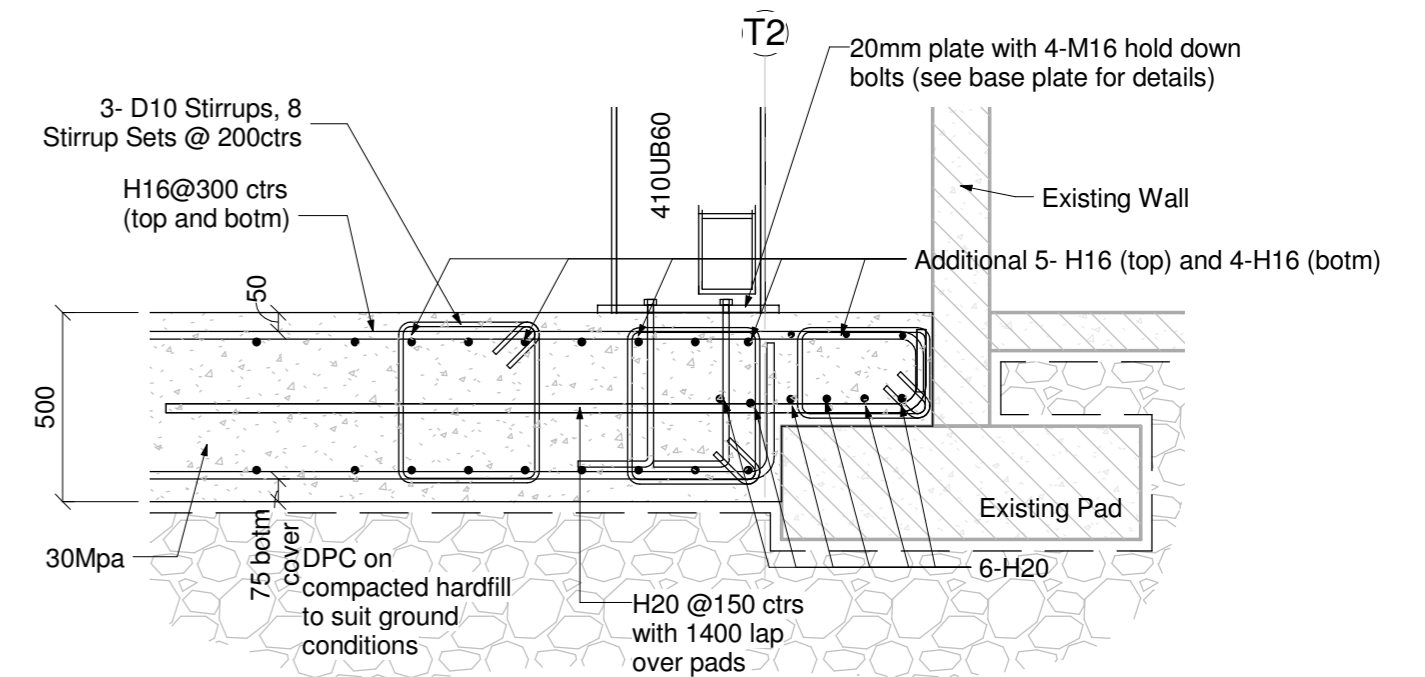
Sheet List			
Sheet Number	Sheet Name	Current Revision	Current Revision Date
S0200	Foundation Plan		
S0300	Full Building Plan		
S0301	Ground Floor		
S0302	Tower Level 1		
S0303	Tower Level 2		
S0304	Tower Level 3		
S0305	Tower Level 4		
S0401	Panel Layout 3D		
S0402	Panel Floor Detail Level 1		
S0403	Panel Floor Detail Level 2		
S0404	Panel Floor Detail Level 3		
S0405	Panel Floor Detail Level 4		
S0500	Structural Roof Plan		
S0600	Sections		
S0603	Gridline T1 and T2		
S0700	Structural Details		
S0701	Structural Details		
S0703	Structural Details- Stairs		



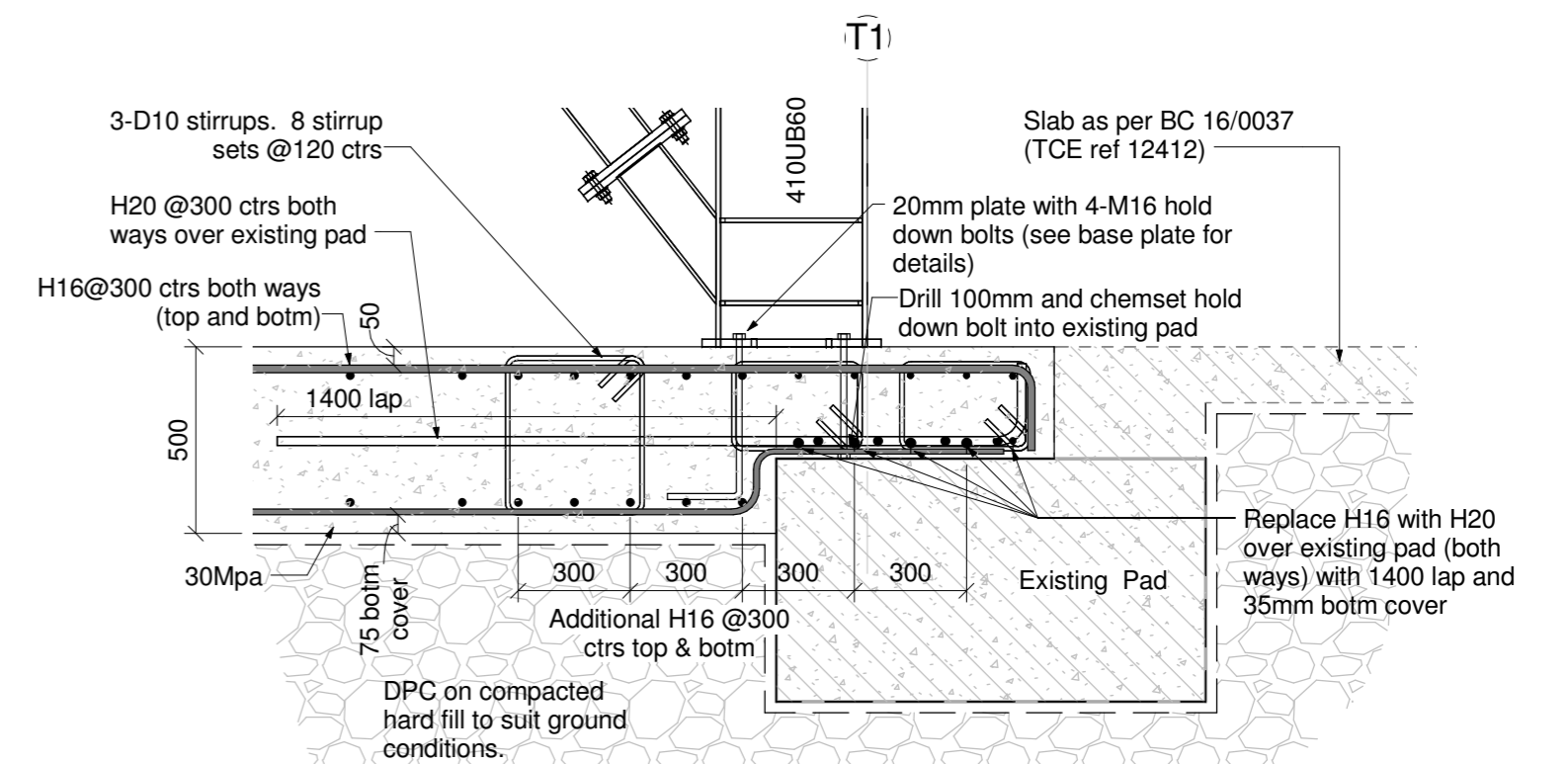
1 Foundation Plan
1 : 100



2 Std Column Foundation
1 : 20

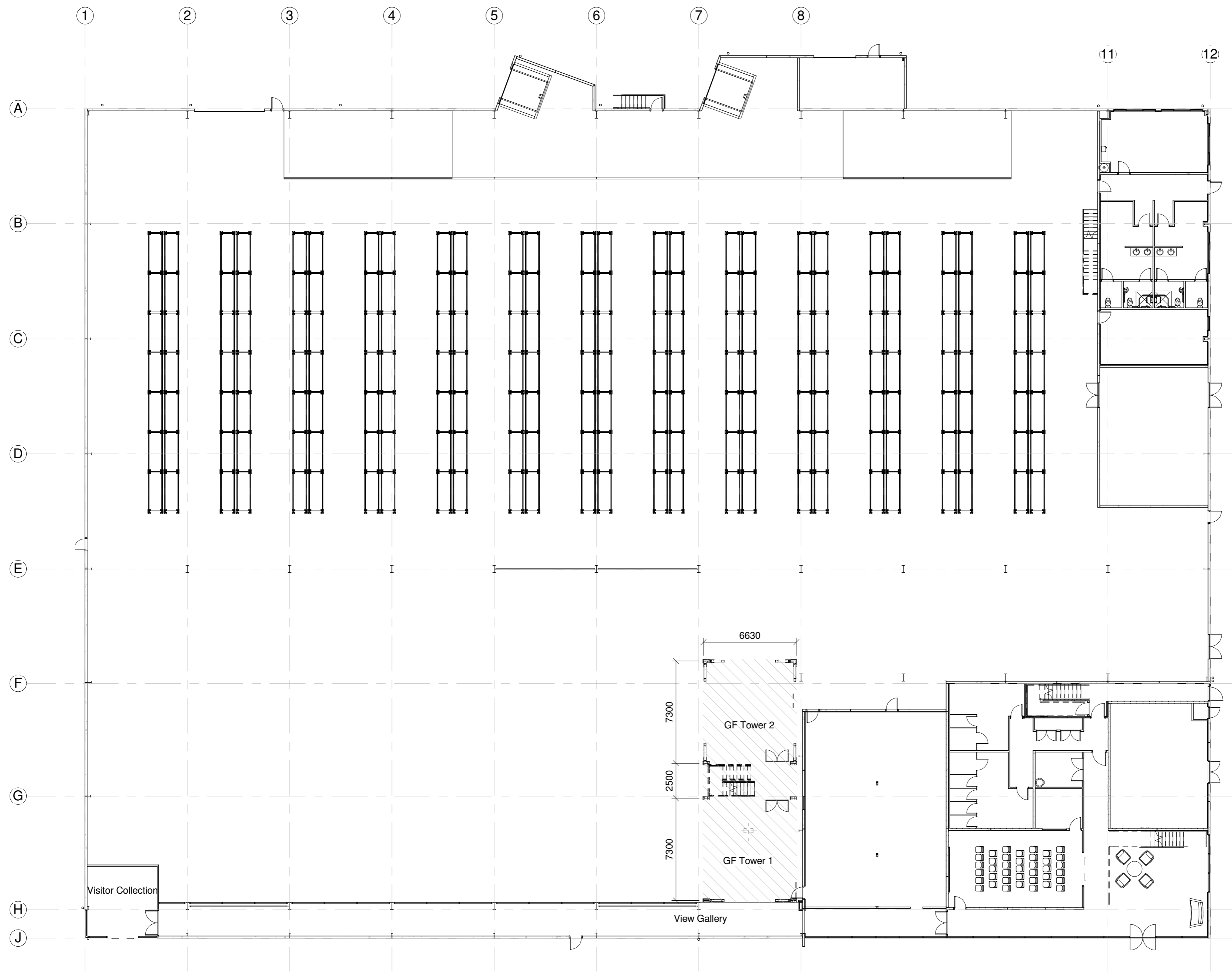


3 Foundation detail near precast wall
1 : 20



4 T1 TD Column Foundation
1 : 20

Rev#	Amendments	Date	SCALE	As indicated@ A2	JOB #	12630
			DRAWN BY	B Holloway	DATE	27/10/16
			CHECKED BY	A.Chapman	REV	
Foundation Plan					S0200	
Please note: All dimensions to be verified on site						Paper size: A2



1 Floor Plan (FFL) Whole Building Struct
1 : 200

PROJECT

NZ Dairy Collaborative Group
Tower Extension

9 Ashford Ave, Ashburton

Rev#

Amendments

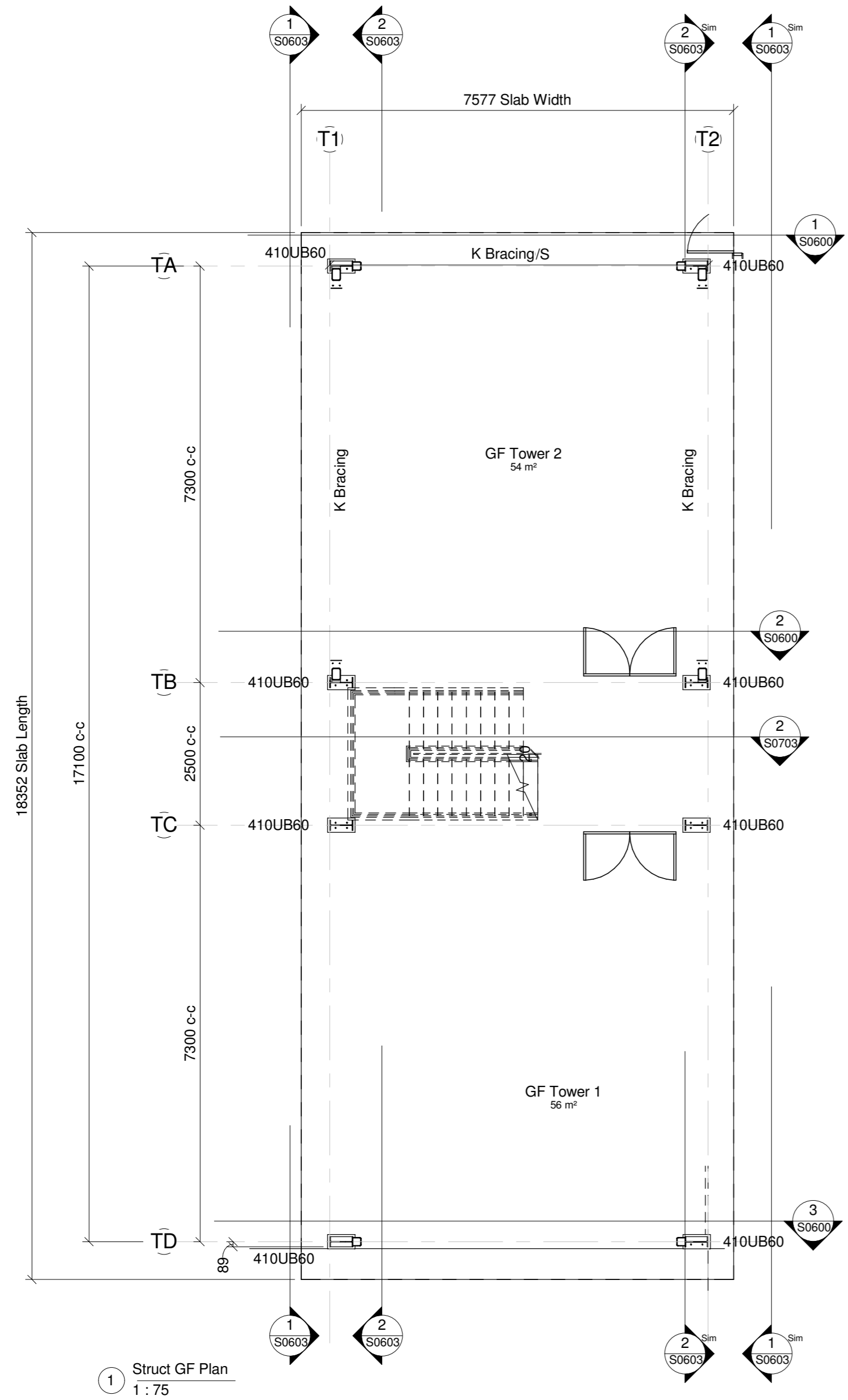
Date

SCALE	1 : 200 @ A2	JOB #	12630
DRAWN BY	B Holloway	DATE	27/10/16
CHECKED BY	A.Chapman	REV	
Full Building Plan			S0300
Please note: All dimensions to be verified on site			Paper size: A2



Thompson Engineering 2002 Ltd | PO Box 2081, Washdyke - Timaru | 9b Meadows Road - Timaru
PH 0800 688 716 | F (03) 688 7168 | www.thompsonengineering.co.nz | design@thompsonengineering.co.nz

All Drawings property of Thompson Engineering 2002 Ltd



Thompson Engineering 2002 Ltd | PO Box 2081, Washdyke - Timaru | 9b Meadows Road - Timaru
 PH 0800 688 716 | F (03) 688 7168 | www.thompsonengineering.co.nz | design@thompsonengineering.co.nz

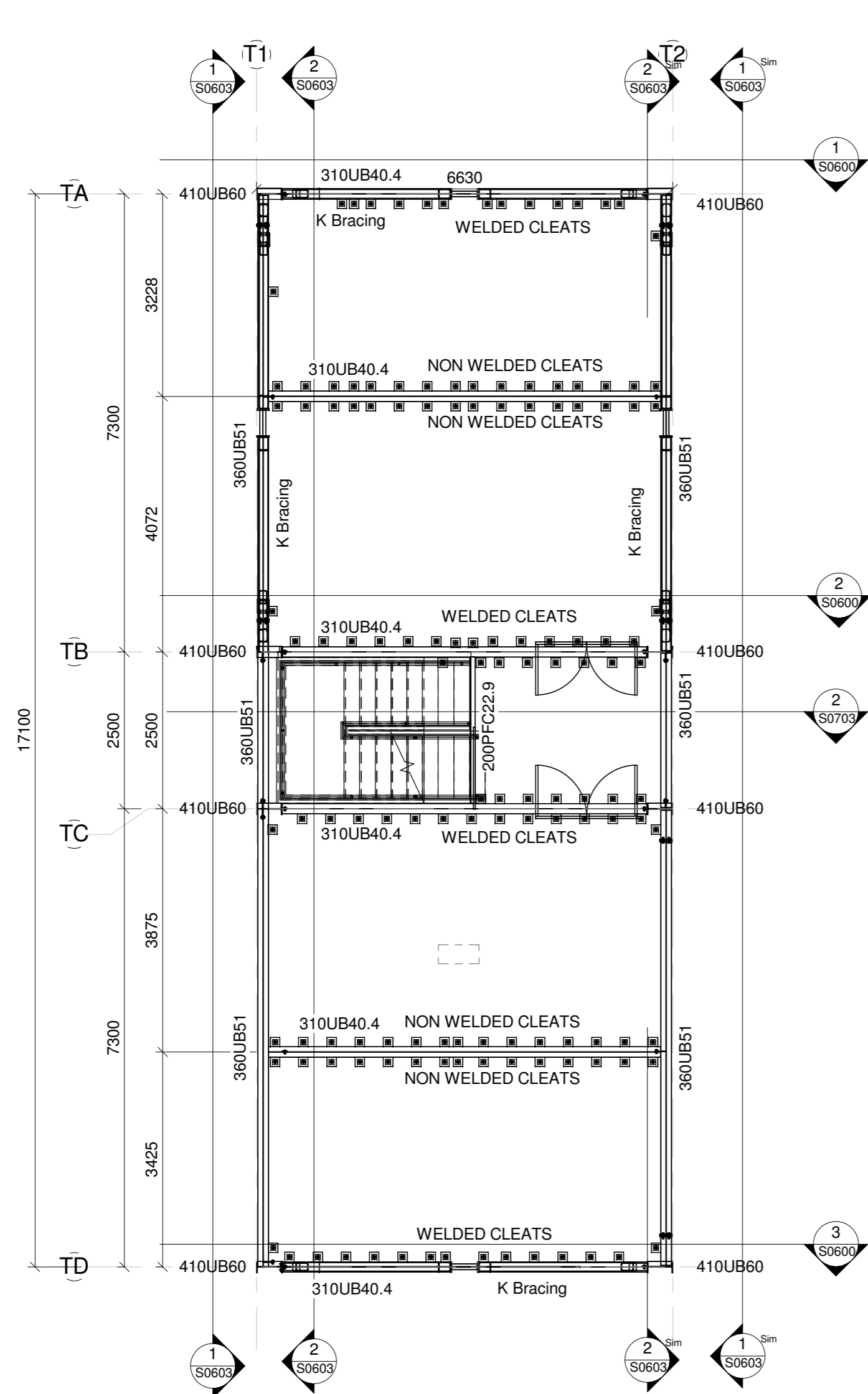
PROJECT

NZ Dairy Collaborative Group
 Tower Extension

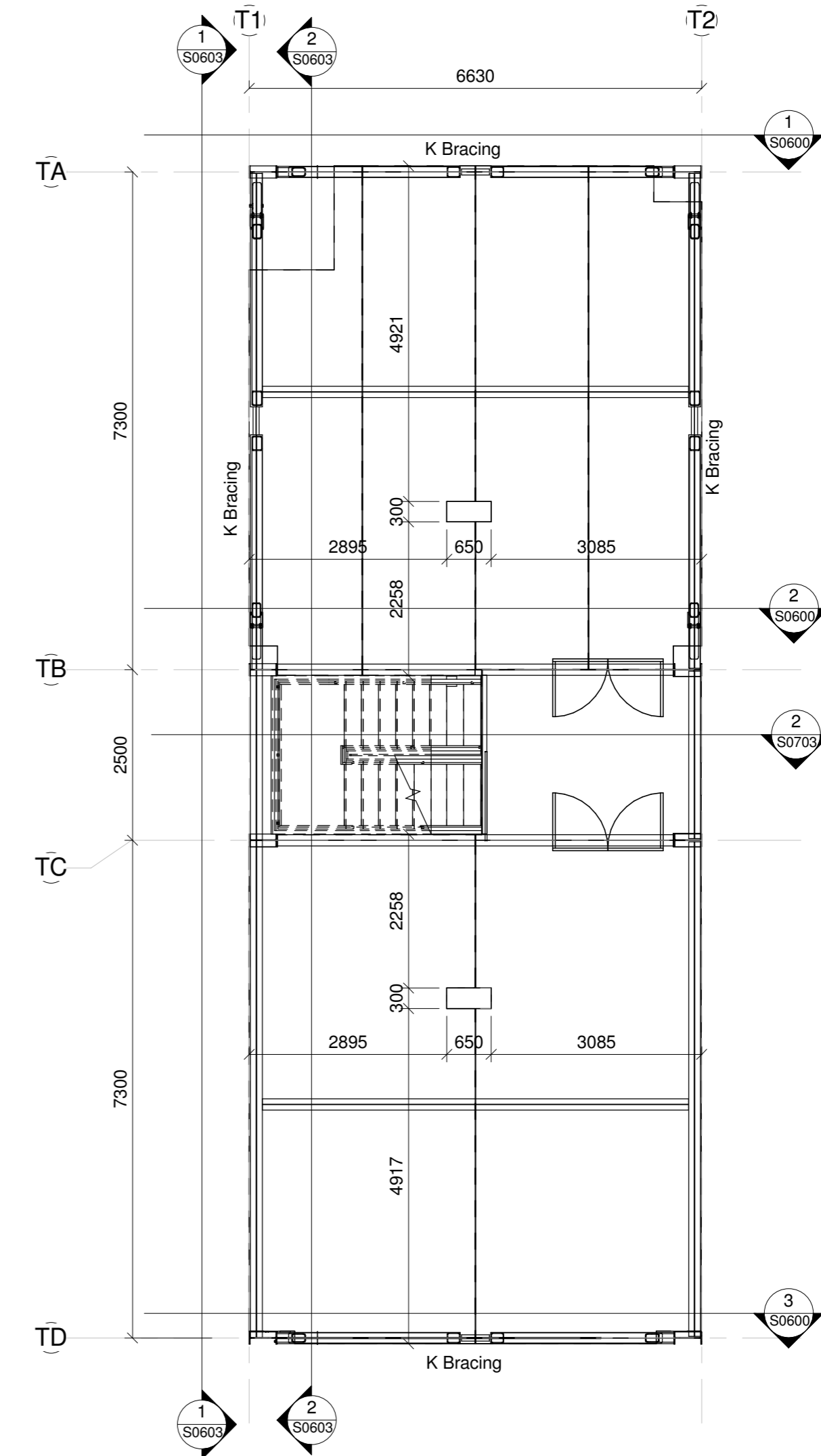
9 Ashford Ave, Ashburton

All Drawings property of Thompson Engineering 2002 Ltd

Rev#	Amendments	Date	SCALE	JOB #
			1 : 75 @ A2	12630
			DRAWN BY B Holloway	DATE 27/10/16
			CHECKED BY A.Chapman	REV
			Ground Floor	S0301
Please note: All dimensions to be verified on site				Paper size: A2



2 Struct Level T1 Midfloor
1 : 75



1 Struct Level T1 Plant
1 : 75

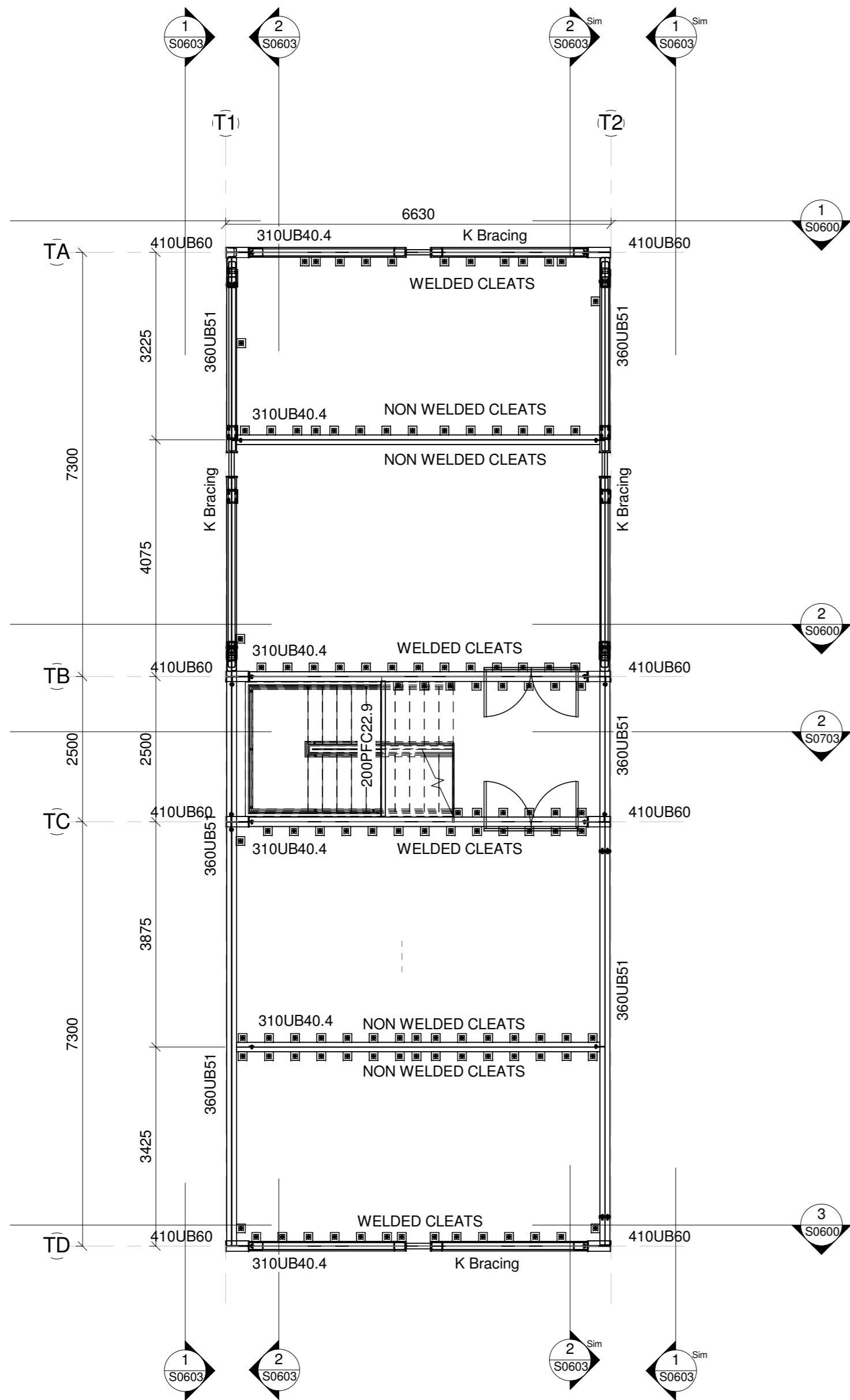
TOWER 2
PENETRATIONS
MIRROR OF
TOWER 1



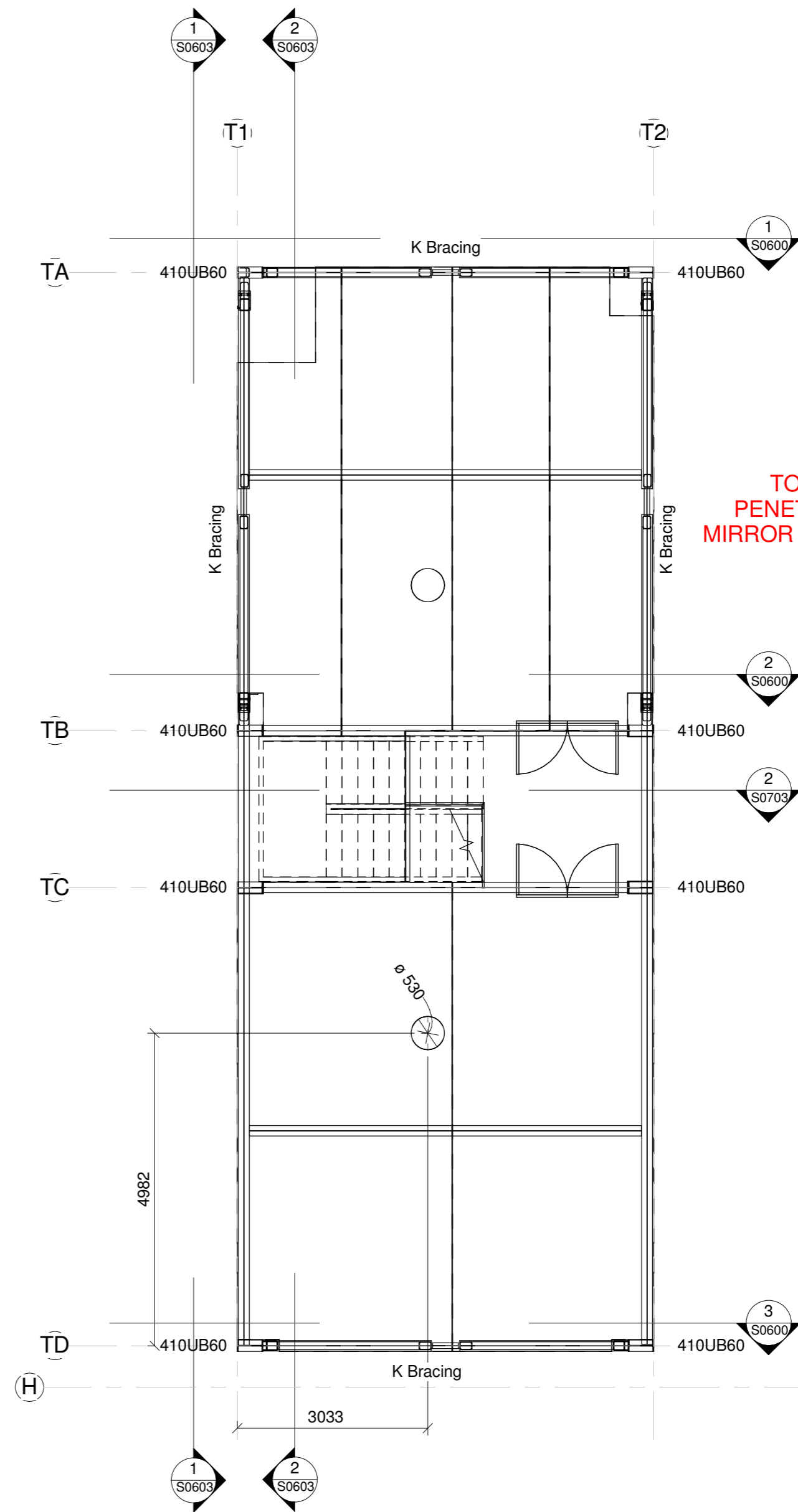
PROJECT
NZ Dairy Collaborative Group
Tower Extension
 9 Ashford Ave, Ashburton
 All Drawings property of Thompson Engineering 2002 Ltd

Rev#	Amendments	Date	SCALE	JOB #
			1 : 75 @ A2	12630
			DRAWN BY B Holloway	DATE 27/10/16
			CHECKED BY A.Chapman	REV
			Tower Level 1	S0302
Please note: All dimensions to be verified on site				Paper size: A2

Thompson Engineering 2002 Ltd | PO Box 2081, Washdyke - Timaru | 9b Meadows Road - Timaru
 PH 0800 688 716 | F (03) 688 7168 | www.thompsonengineering.co.nz | design@thompsonengineering.co.nz



1 Struct Level T2 Midfloor
1 : 75



2 Struct Level T2 Plant
1 : 75

TOWER 2
PENETRATIONS
MIRROR OF TOWER 1

PROJECT

NZ Dairy Collaborative Group
Tower Extension

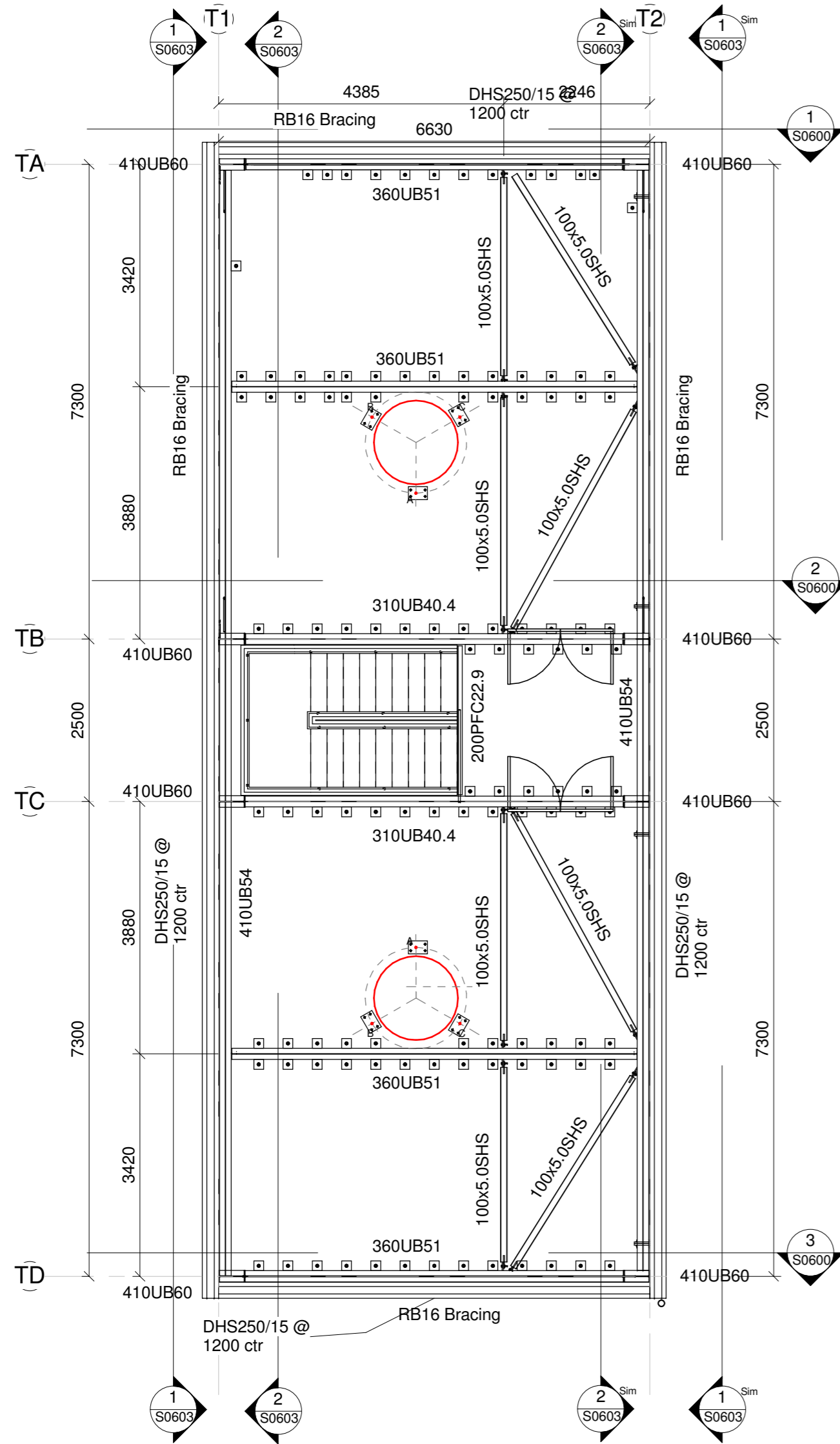
9 Ashford Ave, Ashburton

All Drawings property of Thompson Engineering 2002 Ltd

Rev#	Amendments	Date	SCALE	JOB #
			1 : 75 @ A2	12630
			DRAWN BY B Holloway	DATE 27/10/16
			CHECKED BY A.Chapman	REV
			Tower Level 2	S0303
Please note: All dimensions to be verified on site				Paper size: A2



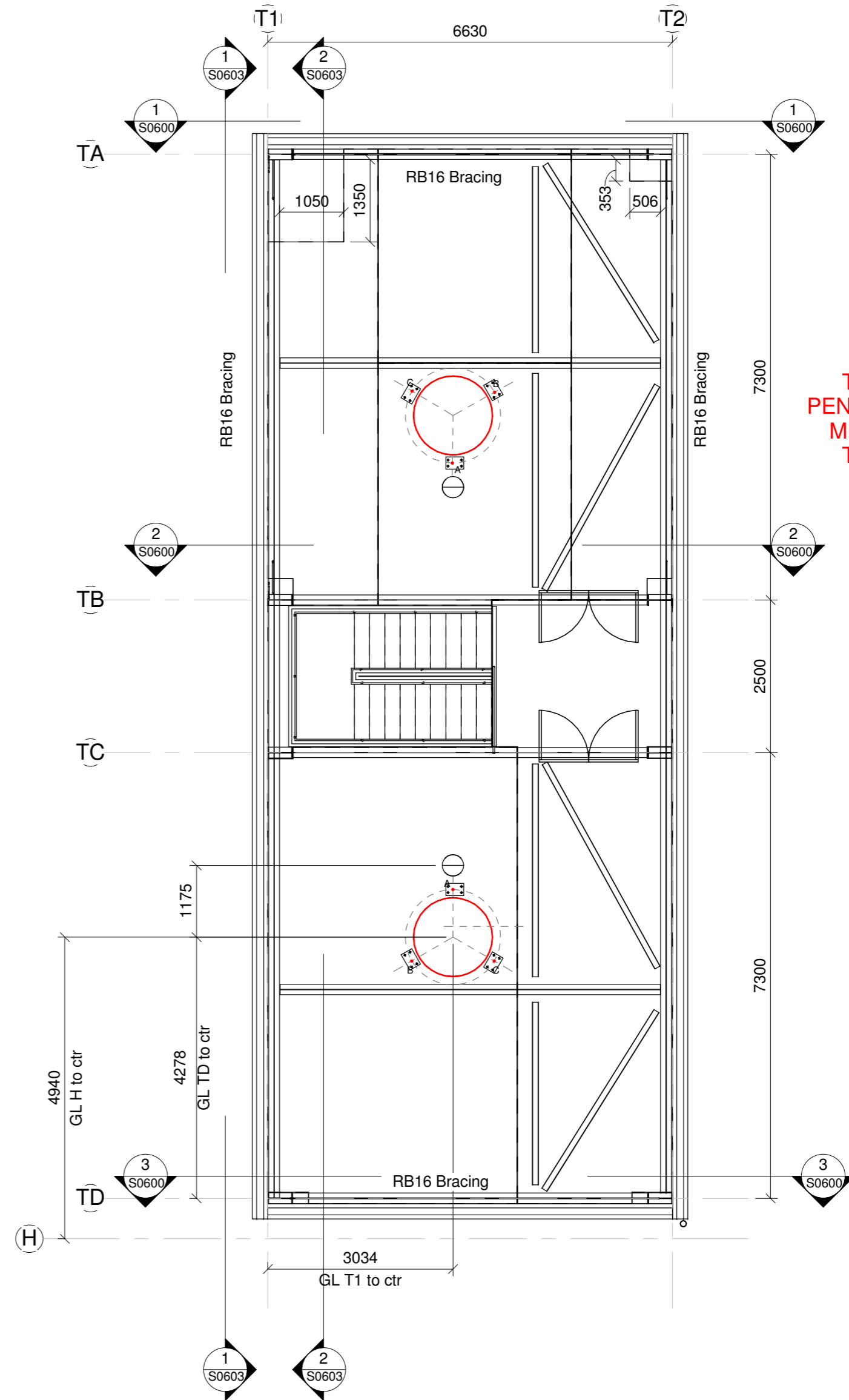
Thompson Engineering 2002 Ltd | PO Box 2081, Washdyke - Timaru | 9b Meadows Road - Timaru
PH 0800 688 716 | F (03) 688 7168 | www.thompsonengineering.co.nz | design@thompsonengineering.co.nz



① Struct Level T4 Midfloor
1 : 75

Seperator Point Loads from GEA 21018-0200 (GEA to check prior to PS1 issue)

VESSEL: 1.5m ³ SEPARATOR	PRODUCT: TO BE CONFIRMED		
LOADING TYPE	LOAD AT A (kN)	LOAD AT B (kN)	LOAD AT C (kN)
EMPTY	1.7	1.7	1.7
FILLED WITH PRODUCT	4.0	4.0	4.0
WATER FILLED	8.1	8.1	8.1



② Struct Level T4 Plant
1 : 75

TOWER 2
PENETRATIONS
MIRROR OF
TOWER 1



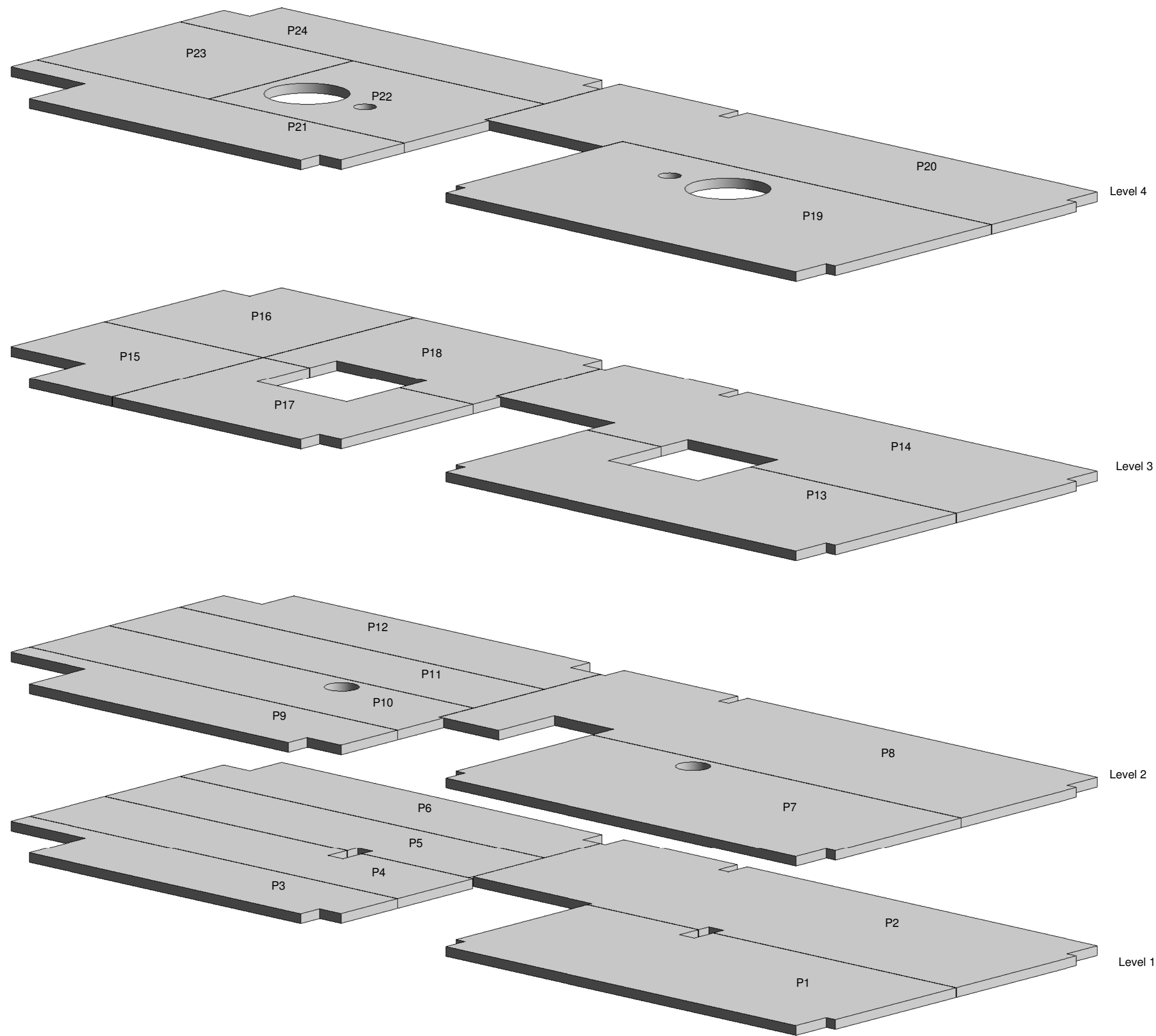
PROJECT

NZ Dairy Collaborative Group
Tower Extension

9 Ashford Ave, Ashburton

All Drawings property of Thompson Engineering 2002 Ltd

Rev#	Amendments	Date	SCALE	As indicated@ A2	JOB #	12630
			DRAWN BY	B Holloway	DATE	27/10/16
			CHECKED BY	A.Chapman	REV	
			Tower Level 4		S0305	
Please note: All dimensions to be verified on site						Paper size: A2



1 Panels 3d

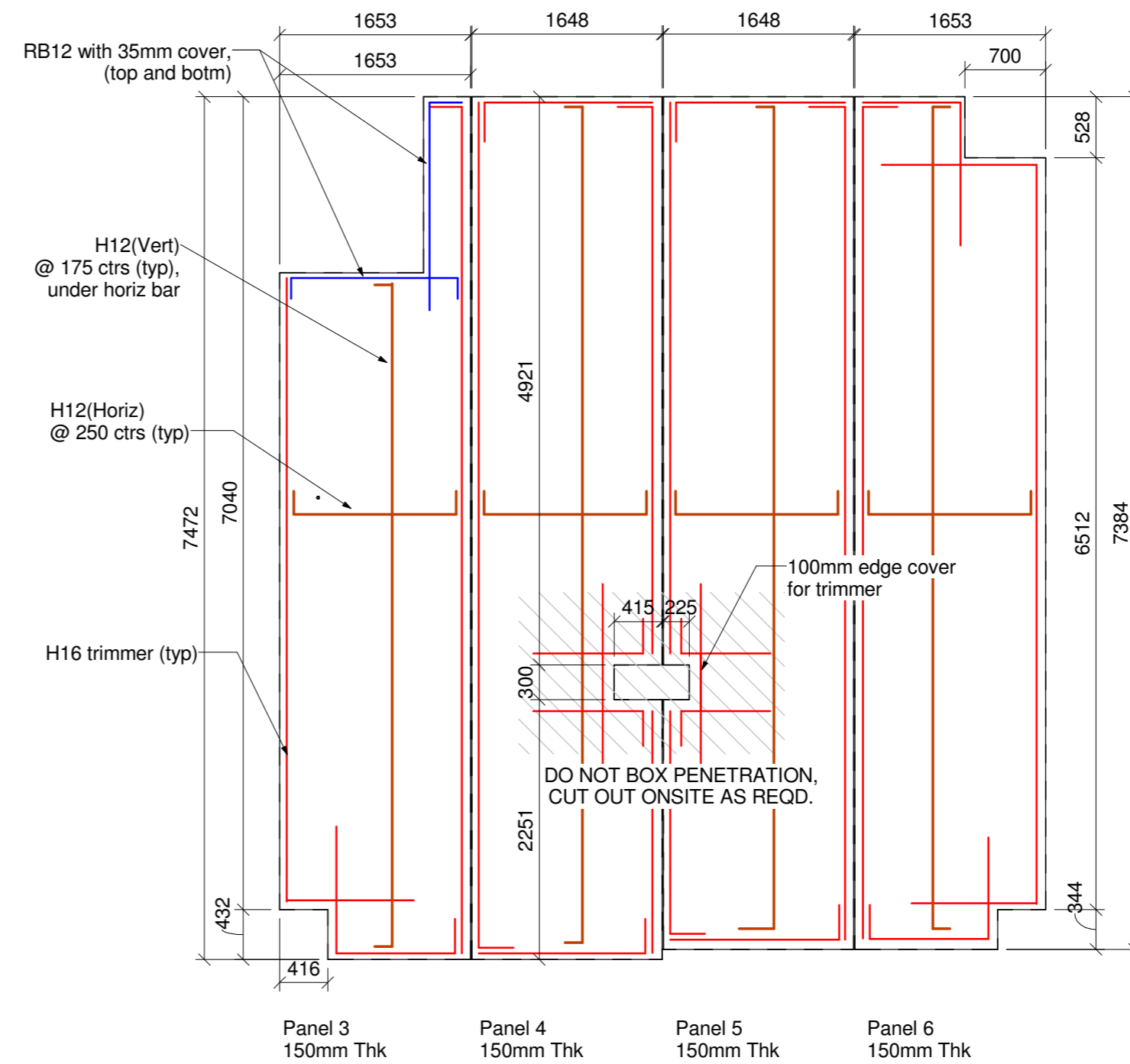
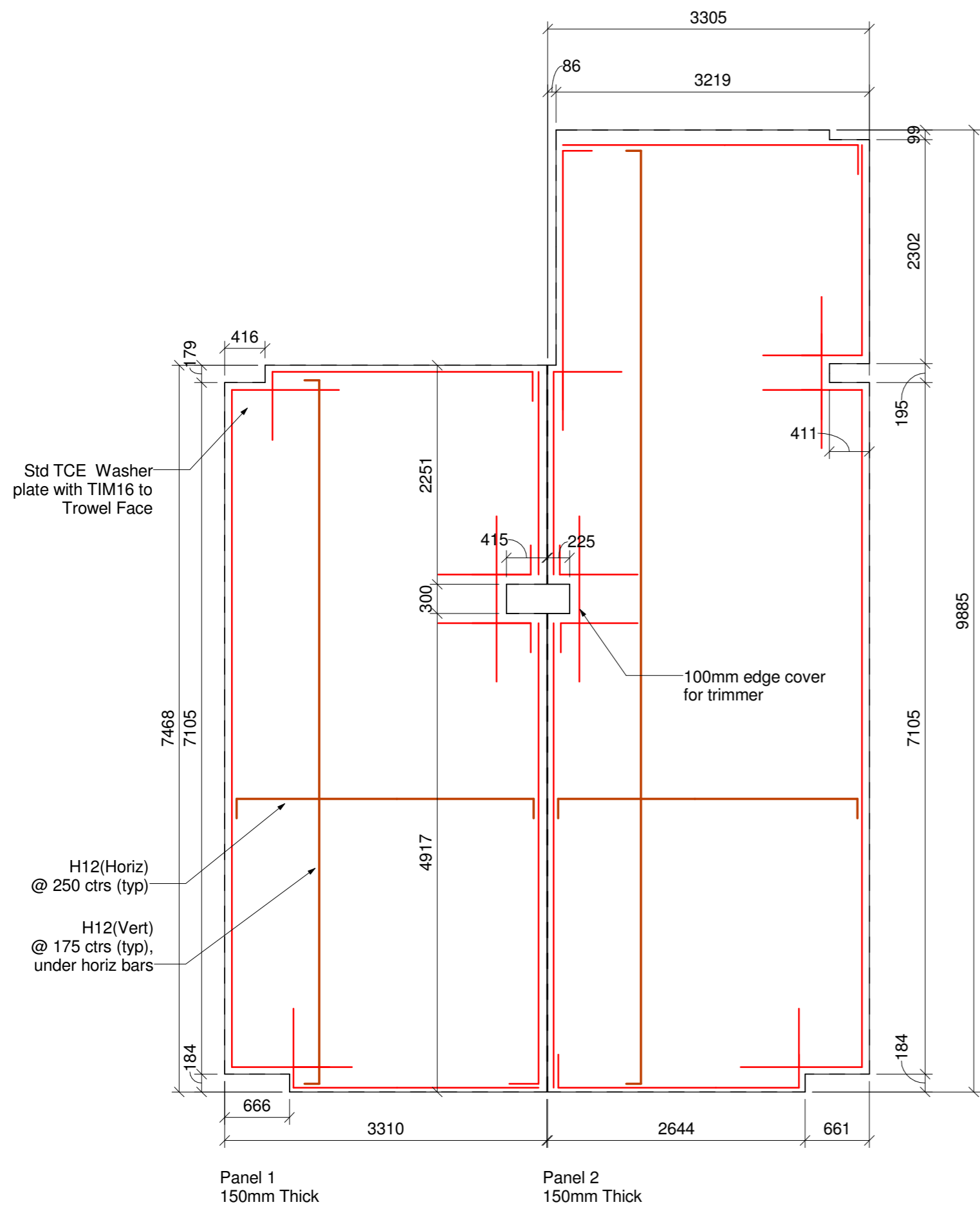


Thompson Engineering 2002 Ltd | PO Box 2081, Washdyke - Timaru | 9b Meadows Road - Timaru
 PH 0800 688 716 | F (03) 688 7168 | www.thompsonengineering.co.nz | design@thompsonengineering.co.nz

PROJECT
 NZ Dairy Collaborative Group
 Tower Extension
 9 Ashford Ave, Ashburton
 All Drawings property of Thompson Engineering 2002 Ltd

Rev#	Amendments	Date

SCALE	@ A2	JOB #
		12630
DRAWN BY	B Holloway	DATE
		27/10/16
CHECKED BY	A.Chapman	REV
Panel Layout 3D		S0401
Please note: All dimensions to be verified on site		Paper size: A2



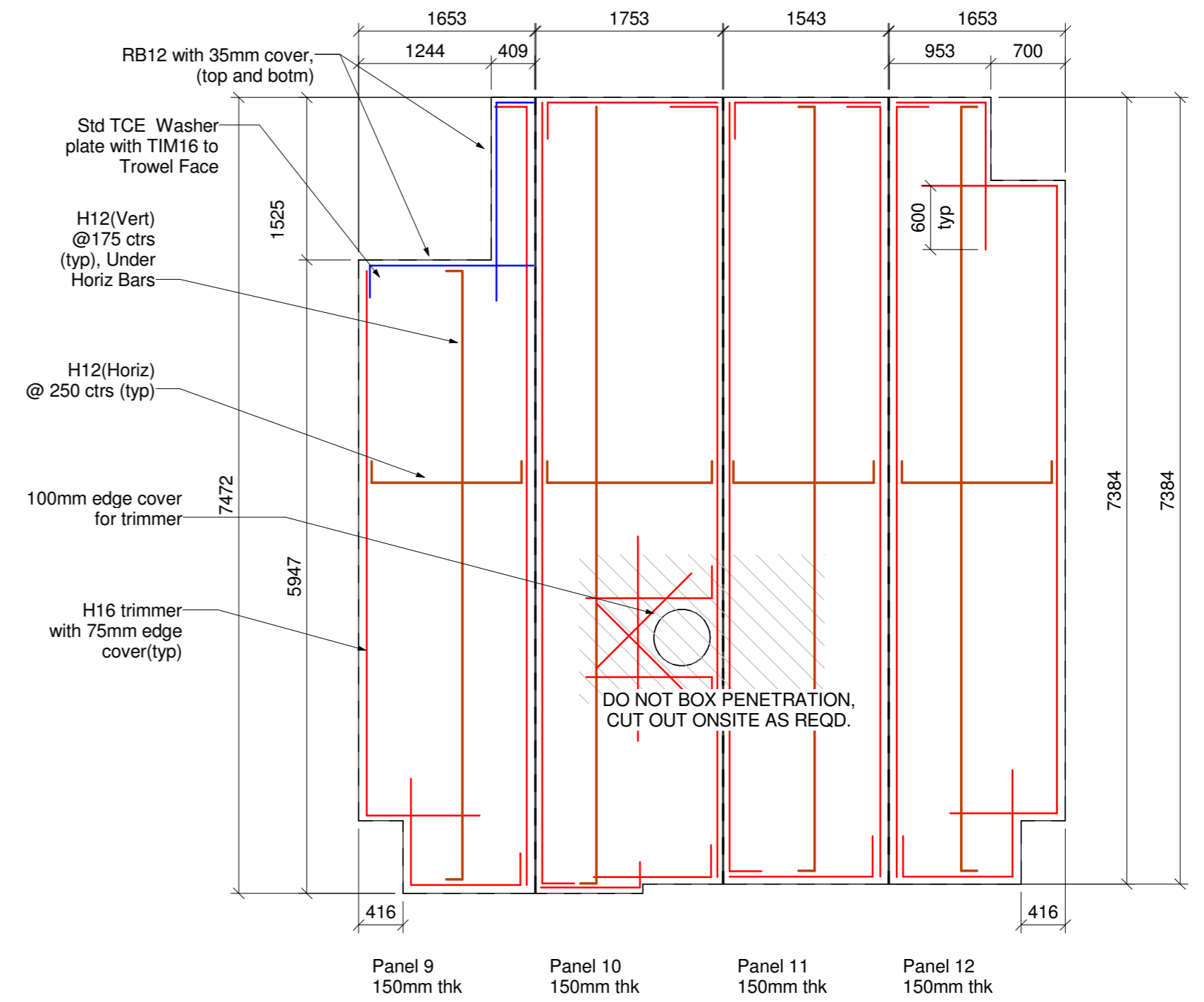
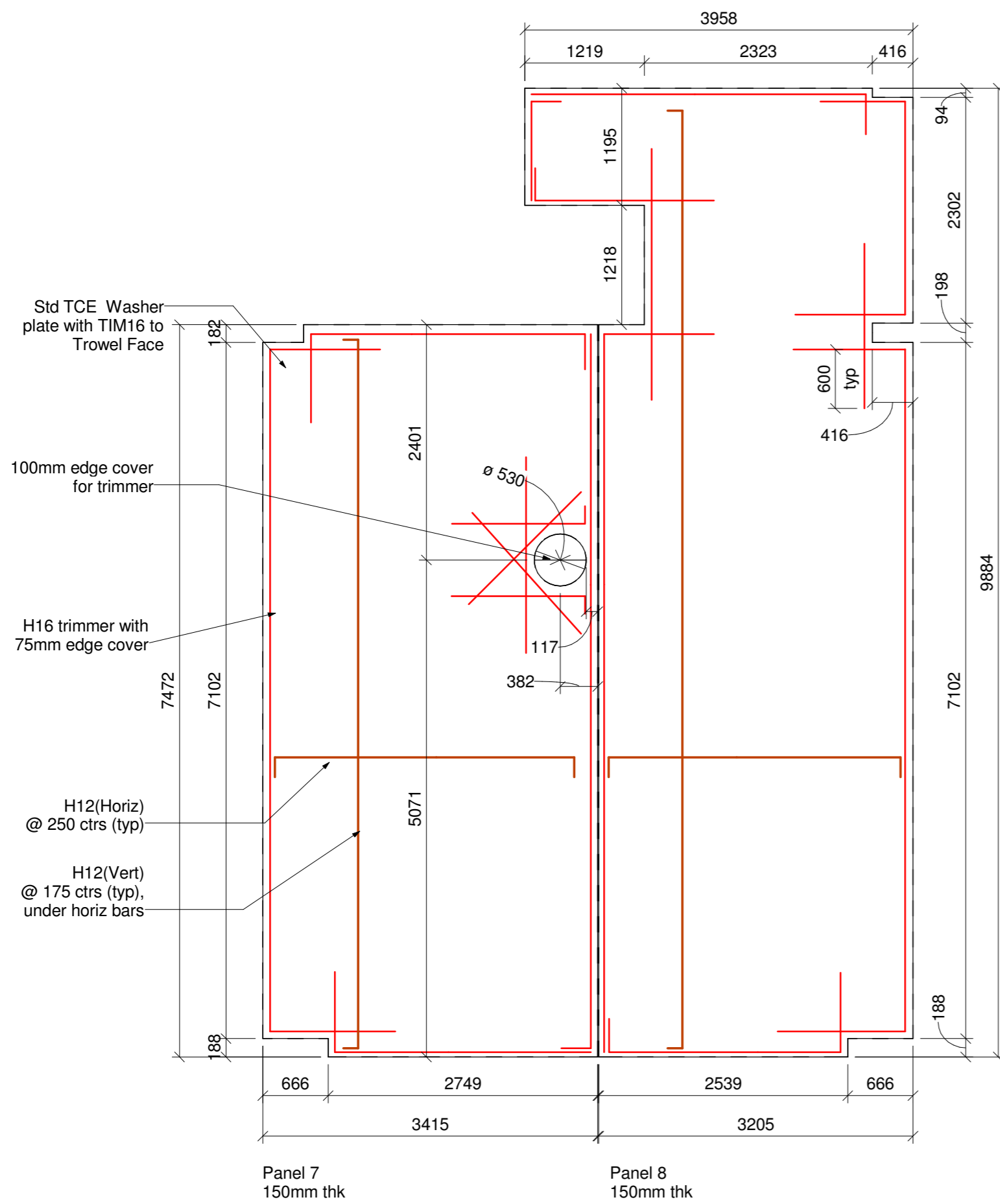
PROJECT

NZ Dairy Collaborative Group
Tower Extension

9 Ashford Ave, Ashburton

All Drawings property of Thompson Engineering 2002 Ltd

Rev#	Amendments	Date	SCALE	JOB #
			1 : 50 @ A2	12630
			DRAWN BY B Holloway	DATE 27/10/16
			CHECKED BY A.Chapman	REV
			Panel Floor Detail Level 1	S0402
			Please note: All dimensions to be verified on site	
			Paper size: A2	



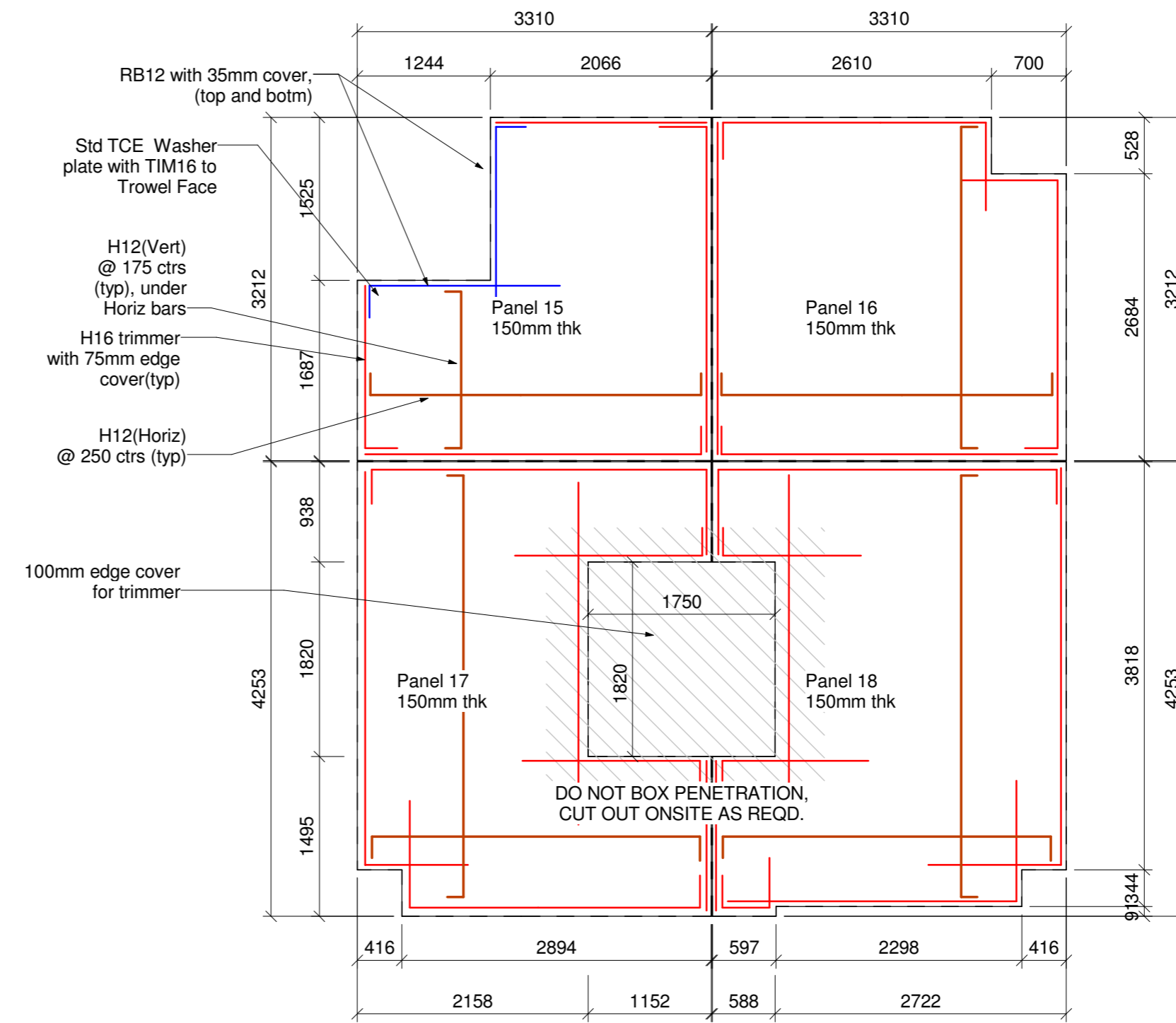
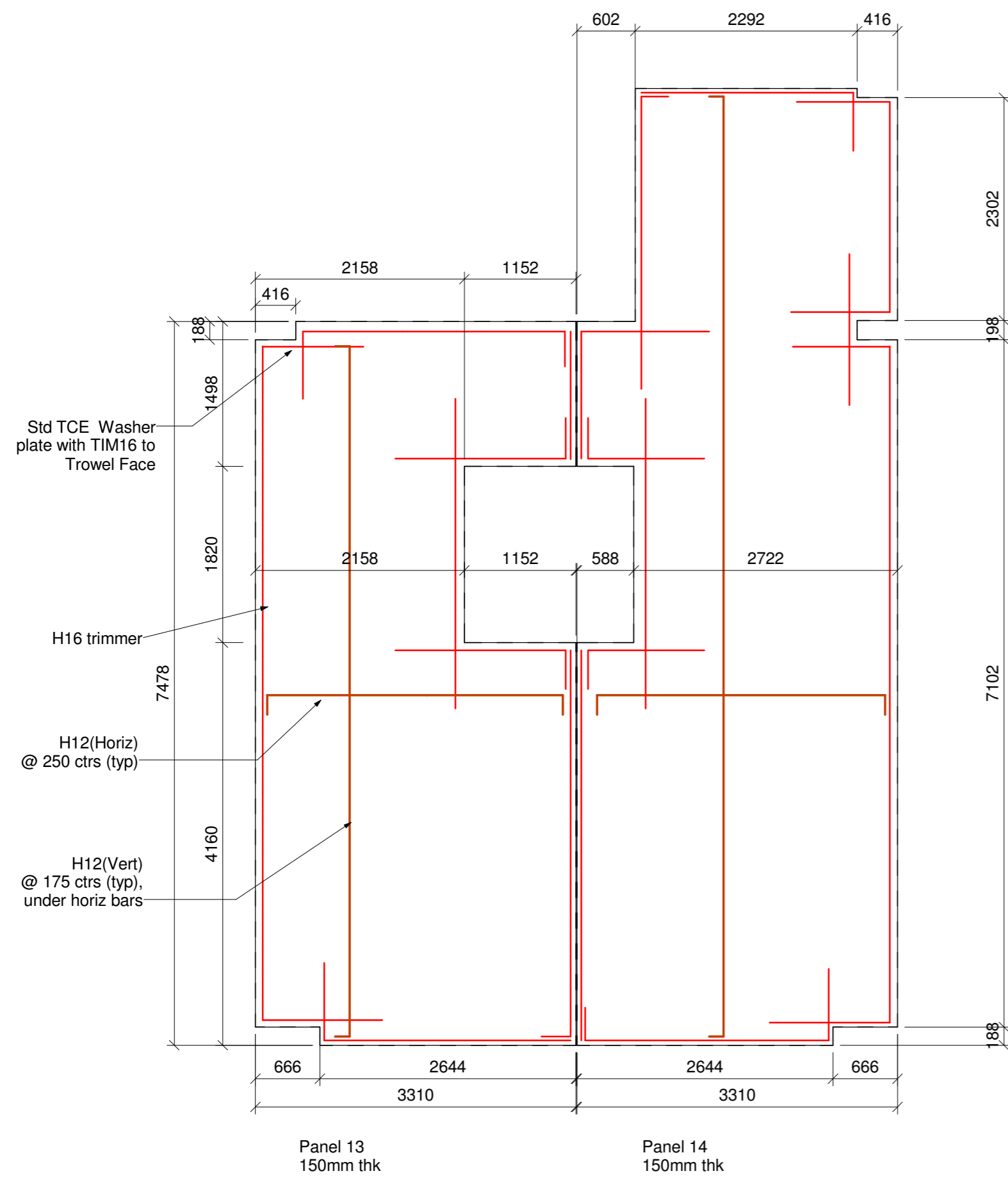
DO NOT BOX PENETRATION,
CUT OUT ONSITE AS REQD.



PROJECT
**NZ Dairy Collaborative Group
 Tower Extension**
 9 Ashford Ave, Ashburton
 All Drawings property of Thompson Engineering 2002 Ltd

Rev#	Amendments	Date	SCALE	JOB #
			1 : 50 @ A2	12630
			DRAWN BY B Holloway	DATE 27/10/16
			CHECKED BY A.Chapman	REV
			Panel Floor Detail Level 2	S0403
Please note: All dimensions to be verified on site				Paper size: A2

Thompson Engineering 2002 Ltd | PO Box 2081, Washdyke - Timaru | 9b Meadows Road - Timaru
 PH 0800 688 716 | F (03) 688 7168 | www.thompsonengineering.co.nz | design@thompsonengineering.co.nz



Thompson Engineering 2002 Ltd | PO Box 2081, Washdyke - Timaru | 9b Meadows Road - Timaru
 PH 0800 688 716 | F (03) 688 7168 | www.thompsonengineering.co.nz | design@thompsonengineering.co.nz

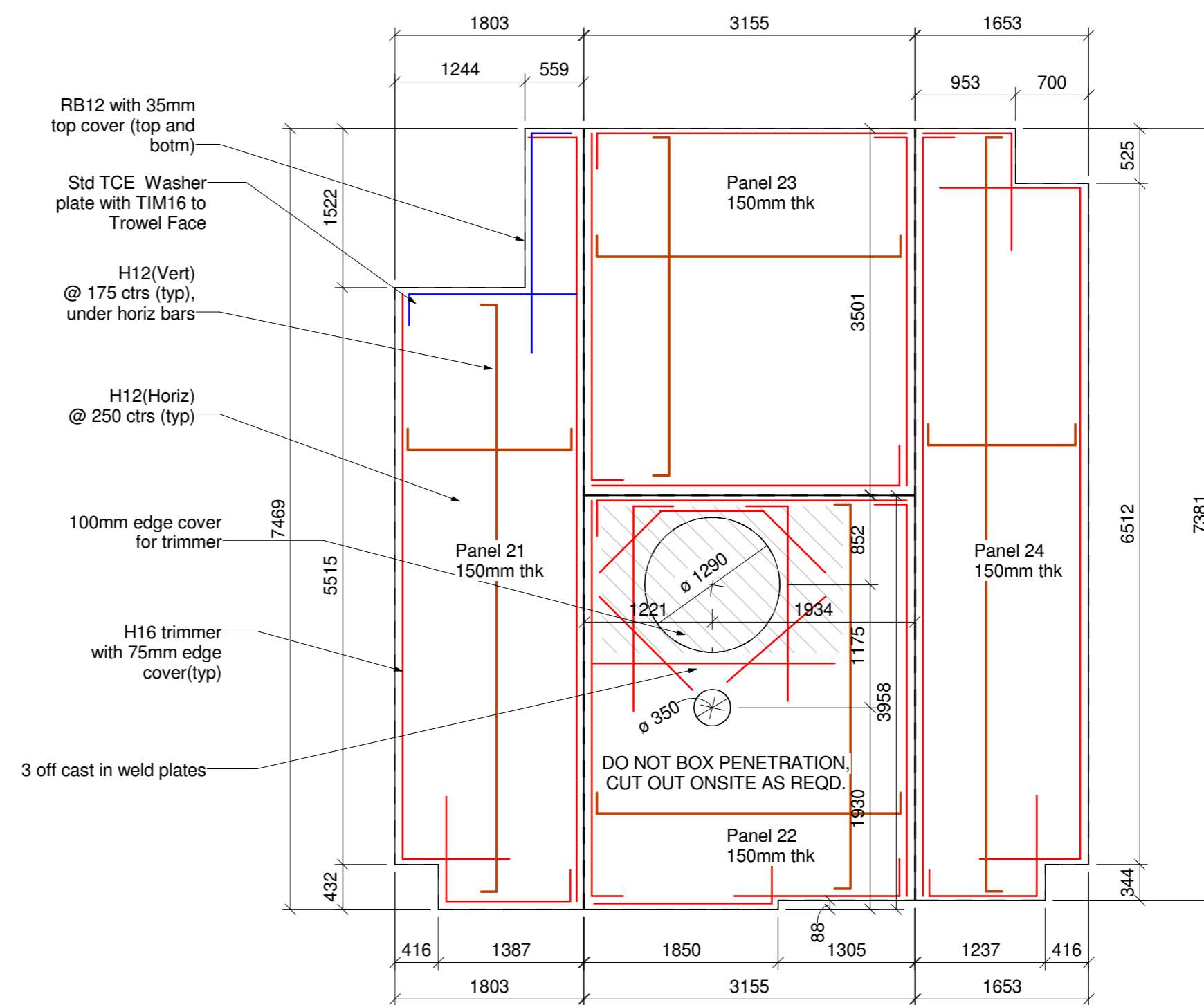
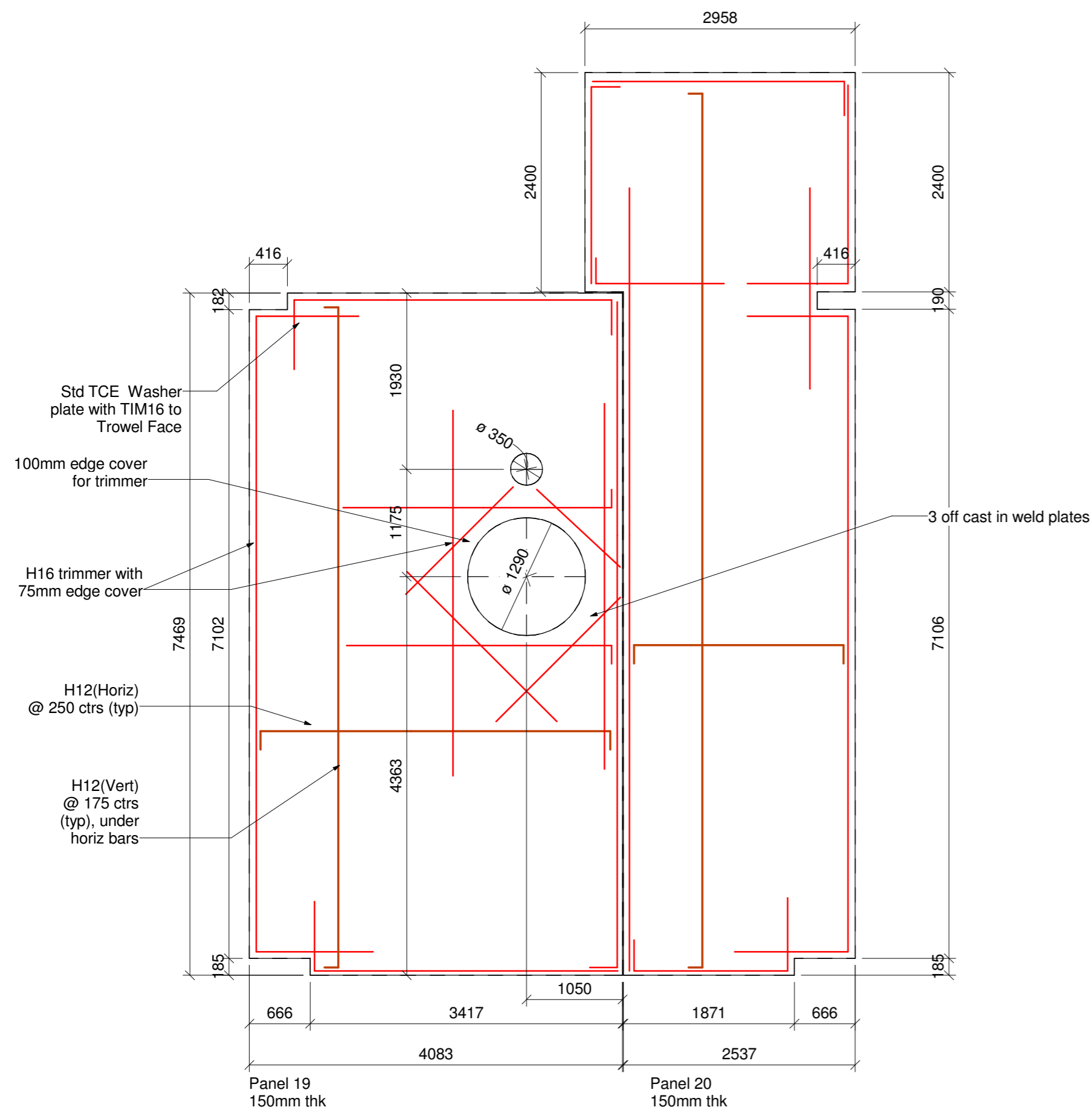
PROJECT

NZ Dairy Collaborative Group
 Tower Extension

9 Ashford Ave, Ashburton

All Drawings property of Thompson Engineering 2002 Ltd

Rev#	Amendments	Date	SCALE	JOB #
			1 : 50 @ A2	12630
			DRAWN BY B Holloway	DATE 27/10/16
			CHECKED BY A.Chapman	REV
			Panel Floor Detail Level 3	S0404
Please note: All dimensions to be verified on site				Paper size: A2



PROJECT

NZ Dairy Collaborative Group
Tower Extension

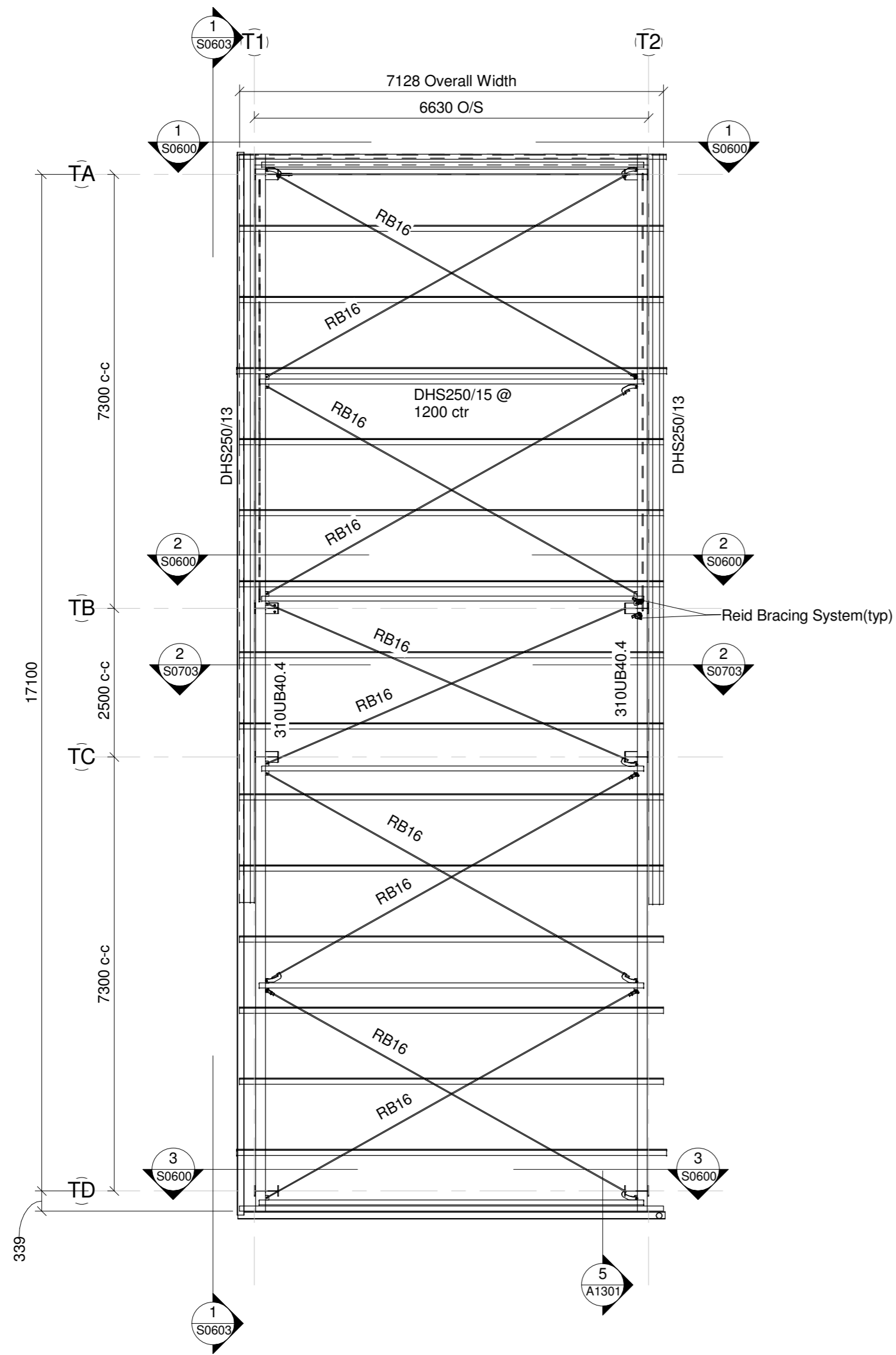
9 Ashford Ave, Ashburton

All Drawings property of Thompson Engineering 2002 Ltd

Rev#	Amendments	Date	SCALE	JOB #
			1 : 50 @ A2	12630
			DRAWN BY B Holloway	DATE 27/10/16
			CHECKED BY A.Chapman	REV
			Panel Floor Detail Level 4	S0405
Please note: All dimensions to be verified on site				Paper size: A2



Thompson Engineering 2002 Ltd | PO Box 2081, Washdyke - Timaru | 9b Meadows Road - Timaru
PH 0800 688 716 | F (03) 688 7168 | www.thompsonengineering.co.nz | design@thompsonengineering.co.nz



1 Structural Roof Plan
1 : 75



PROJECT

NZ Dairy Collaborative Group
Tower Extension

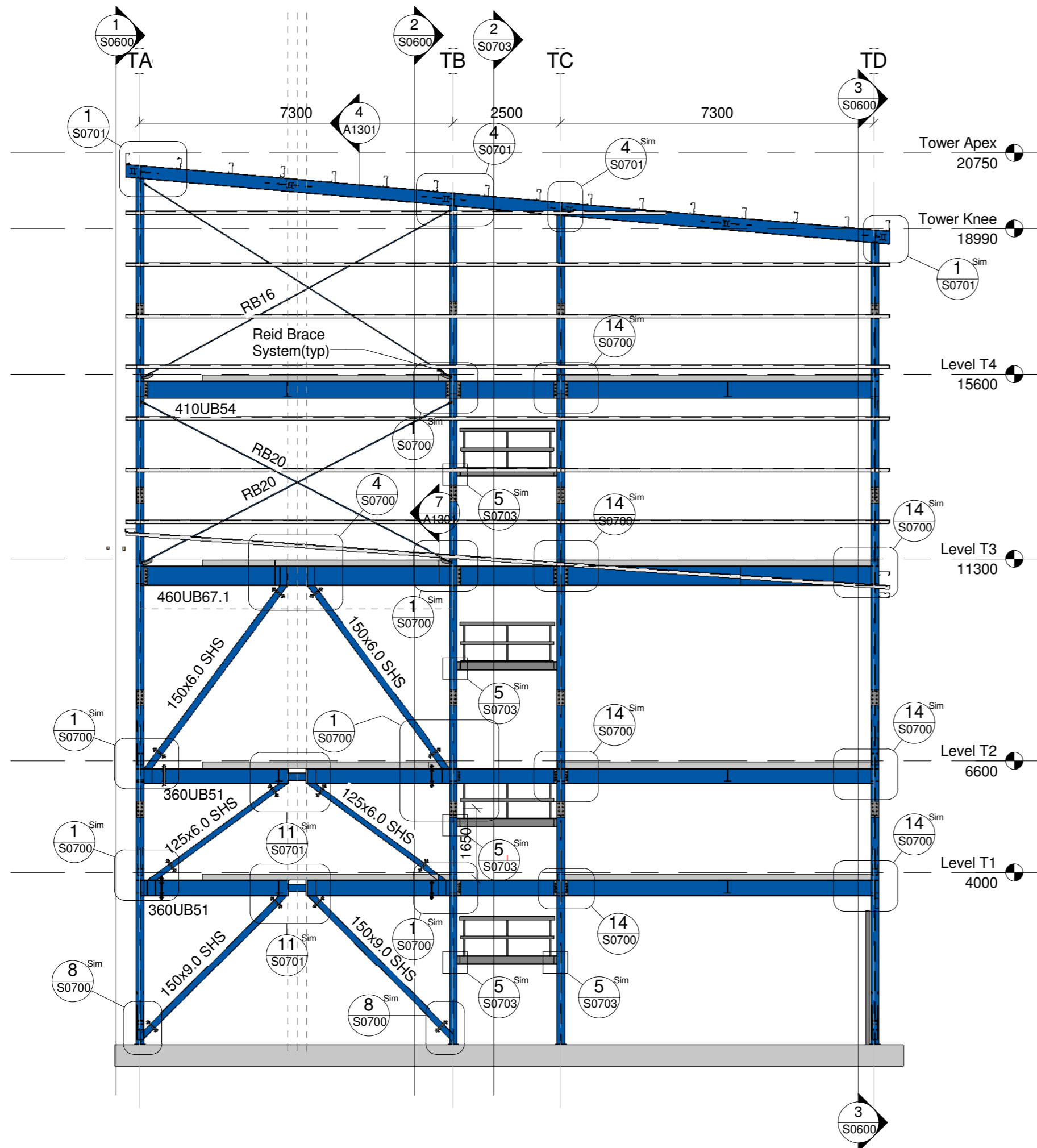
9 Ashford Ave, Ashburton

Rev#

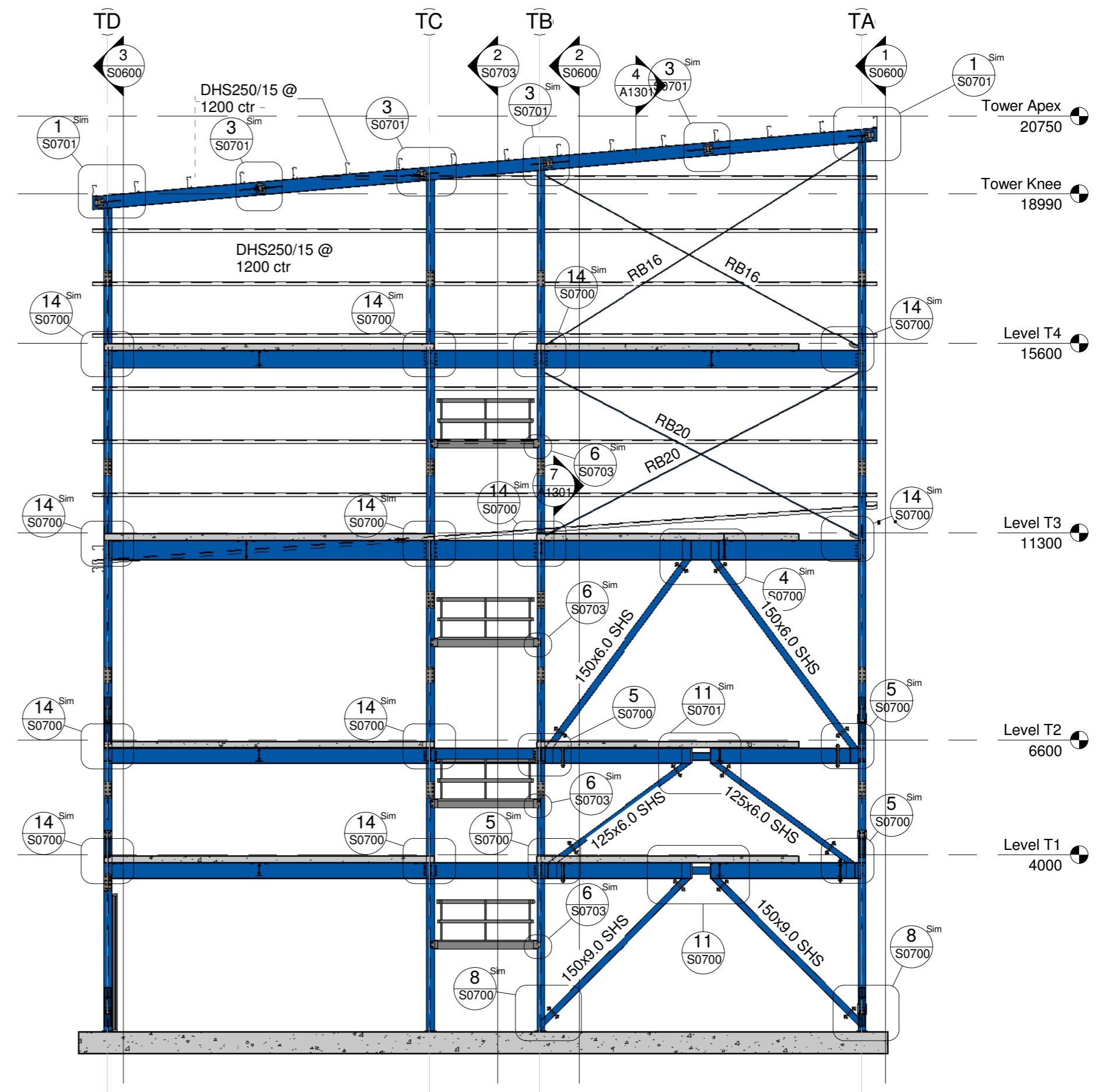
Amendments

Date

SCALE	1 : 75 @ A2	JOB #	12630
DRAWN BY	B Holloway	DATE	27/10/16
CHECKED BY	A.Chapman	REV	
Structural Roof Plan			S0500
Please note: All dimensions to be verified on site			Paper size: A2



1 T1 Section
1 : 100



2 Gridline T1 Inside
1 : 100



PROJECT

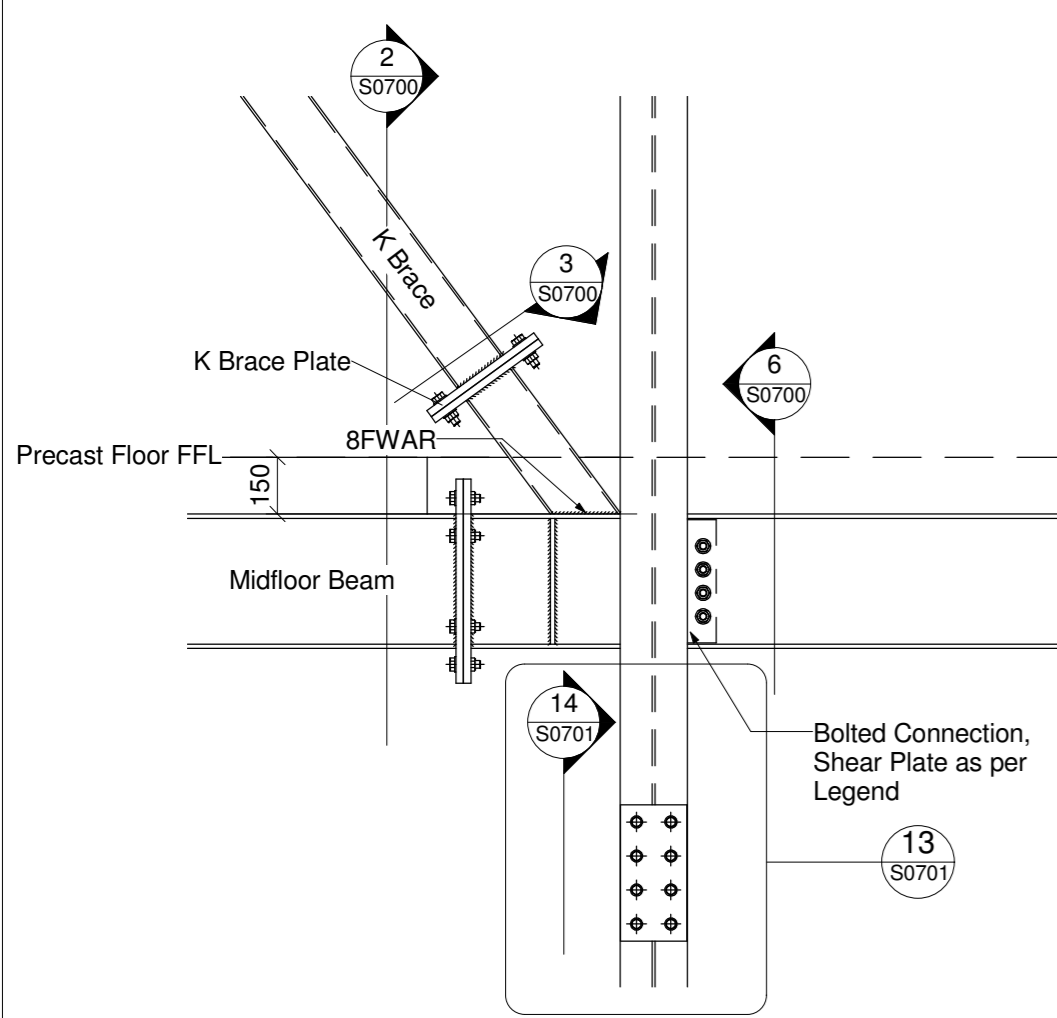
NZ Dairy Collaborative Group
Tower Extension

9 Ashford Ave, Ashburton

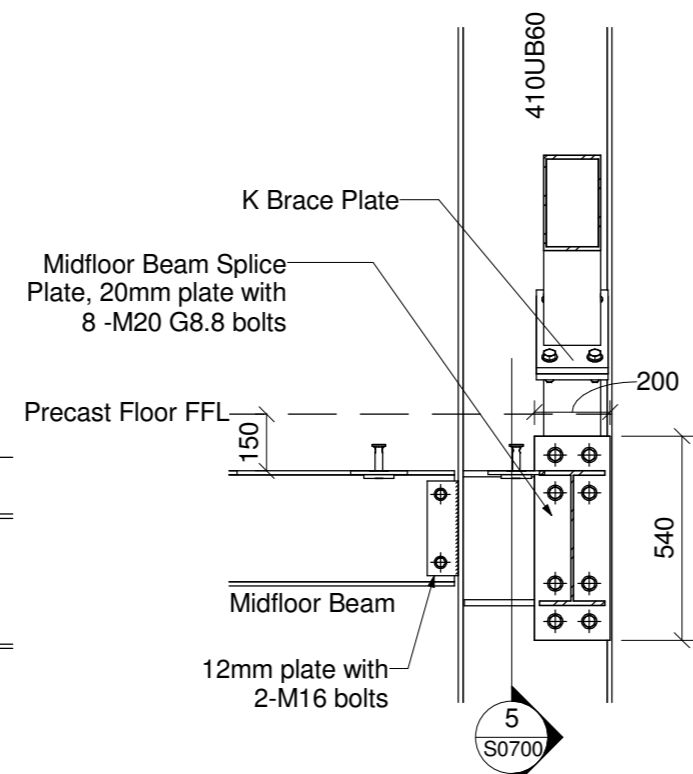
Thompson Engineering 2002 Ltd | PO Box 2081, Washdyke - Timaru | 9b Meadows Road - Timaru
PH 0800 688 716 | F (03) 688 7168 | www.thompsonengineering.co.nz | design@thompsonengineering.co.nz

All Drawings property of Thompson Engineering 2002 Ltd

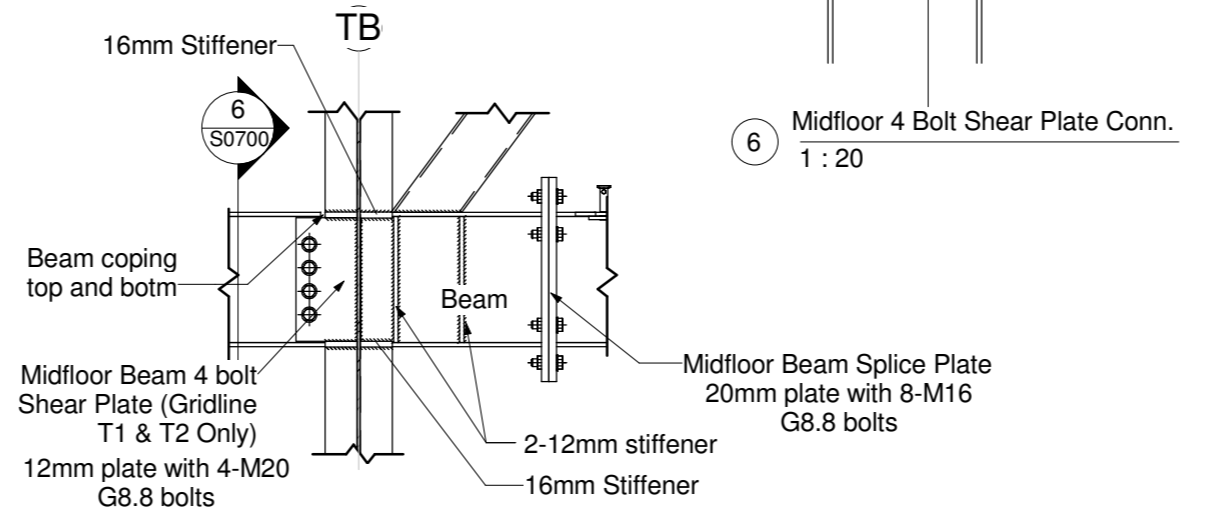
Rev#	Amendments	Date	SCALE	JOB #
			1 : 100 @ A2	12630
			DRAWN BY B Holloway	DATE 27/10/16
			CHECKED BY A.Chapman	REV
			Gridline T1 and T2	S0603
Please note: All dimensions to be verified on site				Paper size: A2



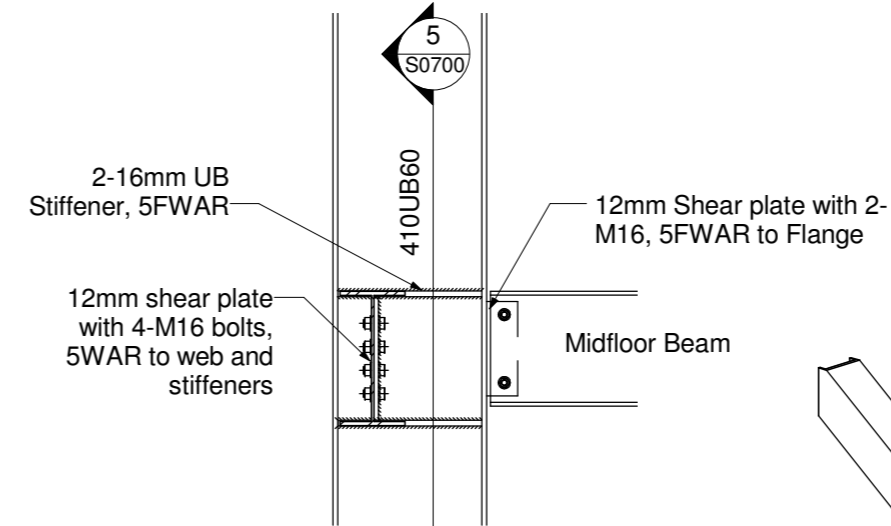
1 Typical K Bracing & Midfloor Conn 1
1 : 20



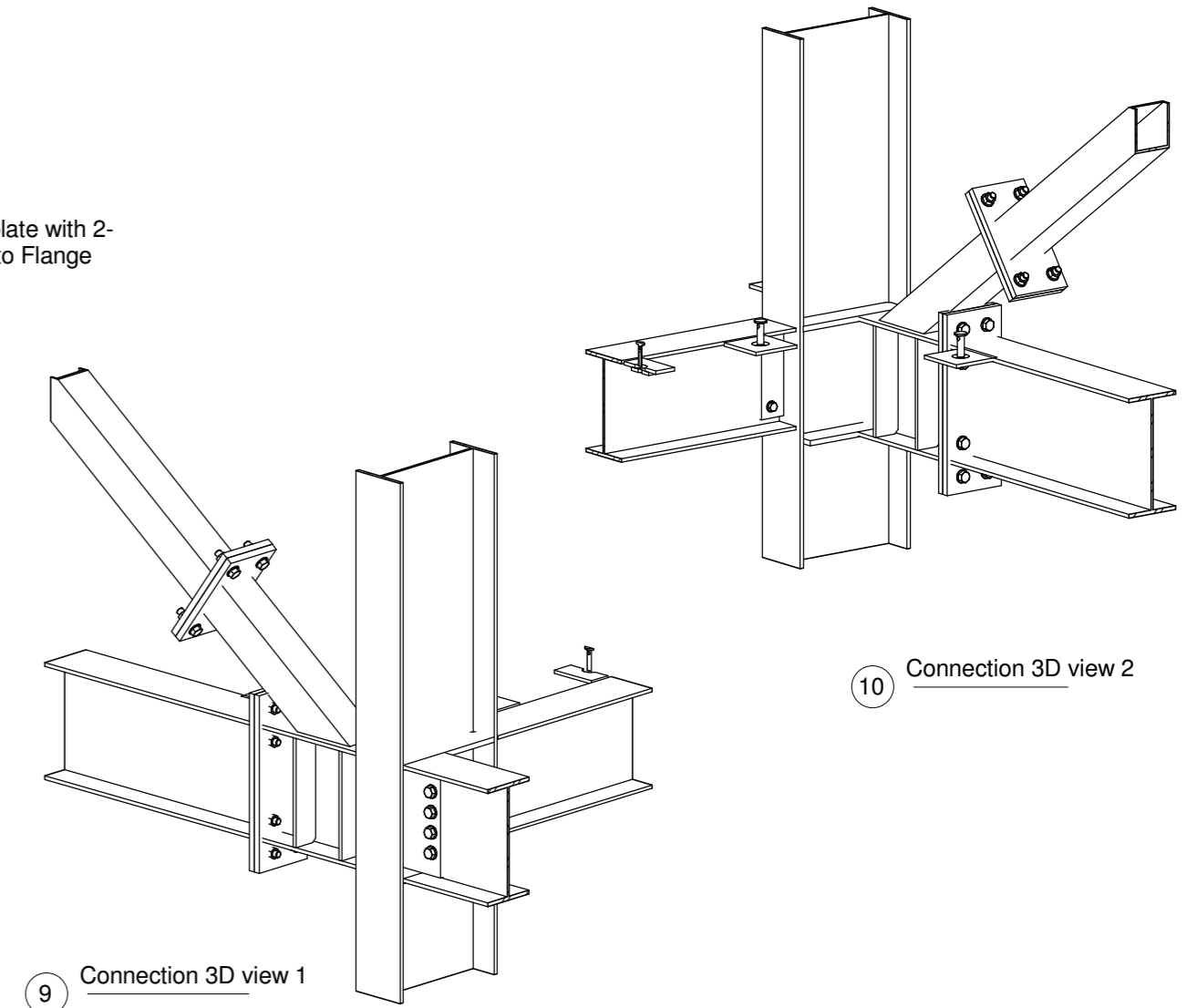
2 Midfloor Connection Detail
1 : 20



5 Typical Web Connection Section
1 : 20

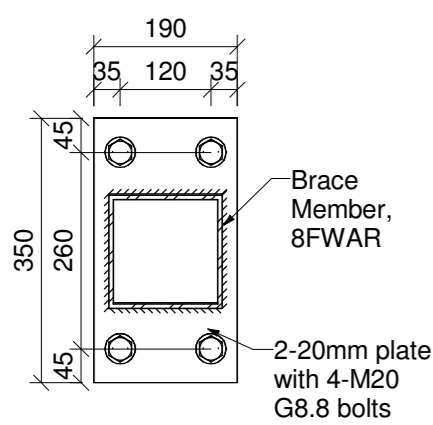


6 Midfloor 4 Bolt Shear Plate Conn.
1 : 20

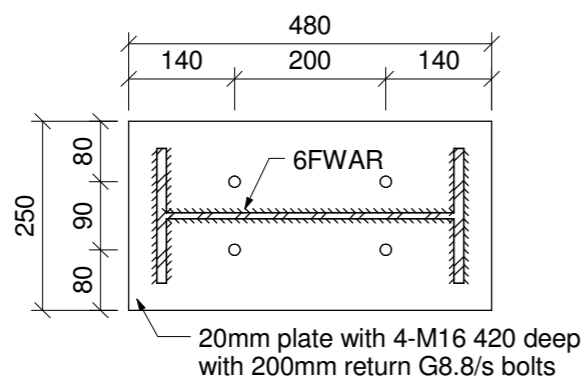


9 Connection 3D view 1

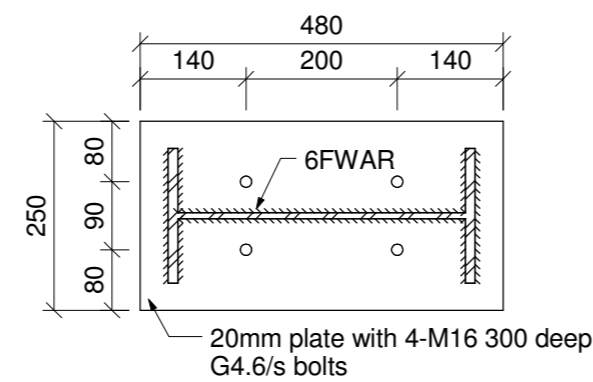
10 Connection 3D view 2



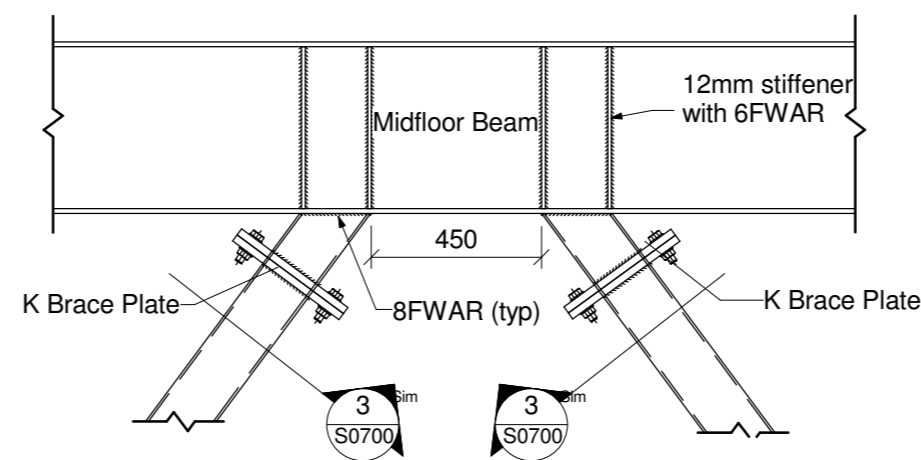
3 K Brace Splice Plate Detail
1 : 10



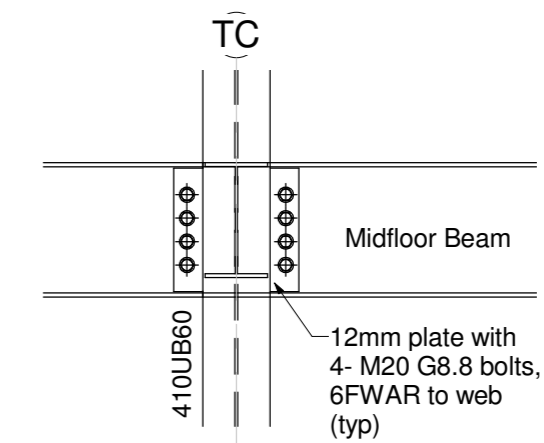
7 410 UB Base Plate (K Brace Legs)
1 : 10



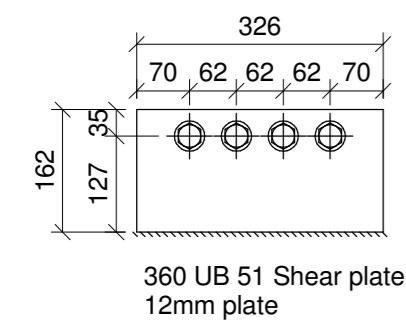
13 410 UB Base Plate (no K brace)
1 : 10



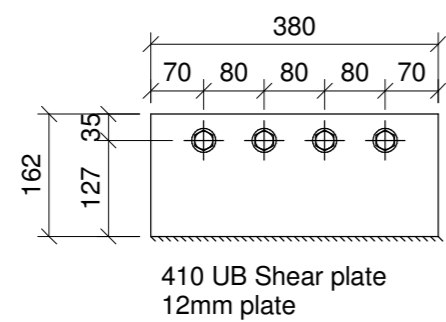
4 Typical Bracing Top Connection
1 : 20



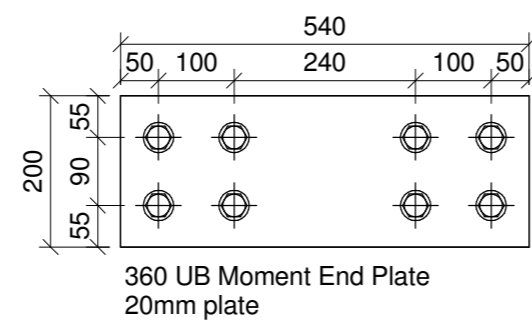
14 Midfloor Beam Conn 2
1 : 20



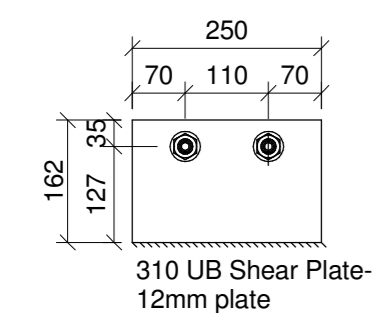
360 UB 51 Shear plate
12mm plate



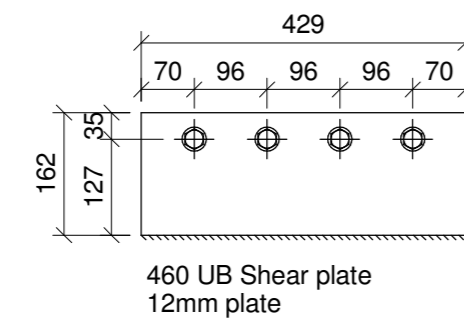
410 UB Shear plate
12mm plate



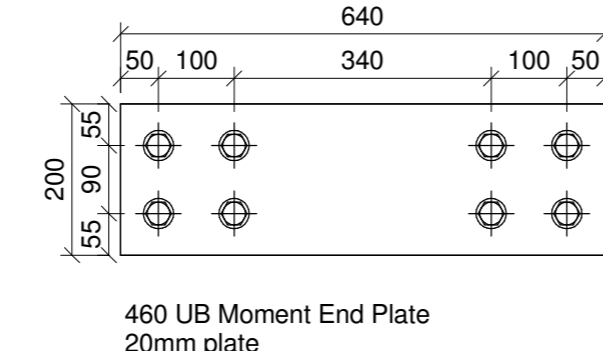
360 UB Moment End Plate
20mm plate



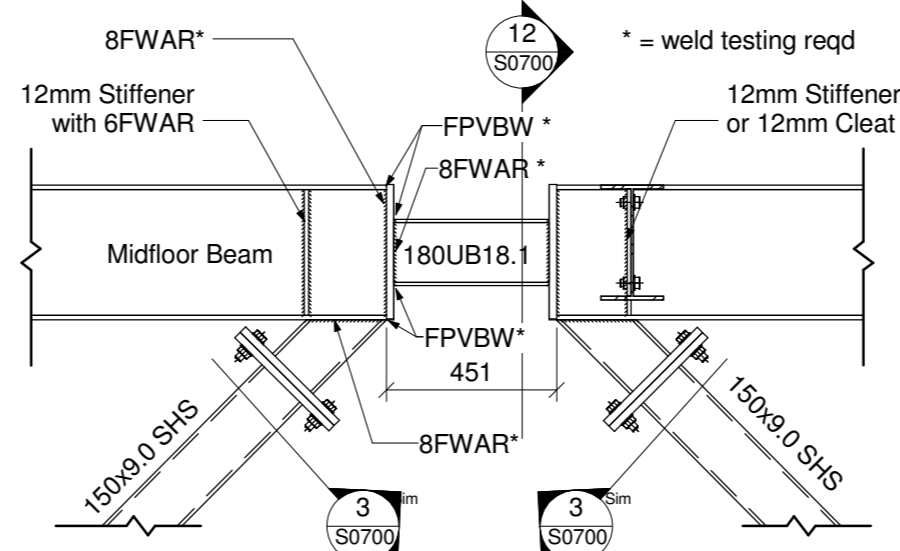
310 UB Shear Plate
12mm plate



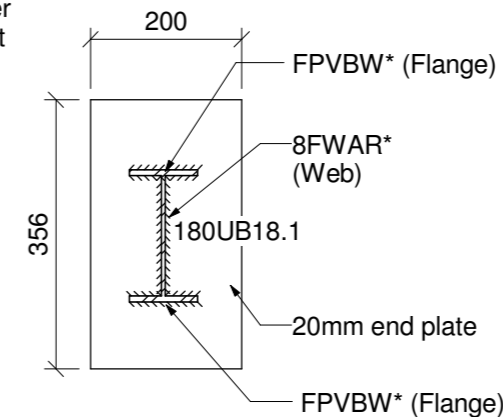
460 UB Shear plate
12mm plate



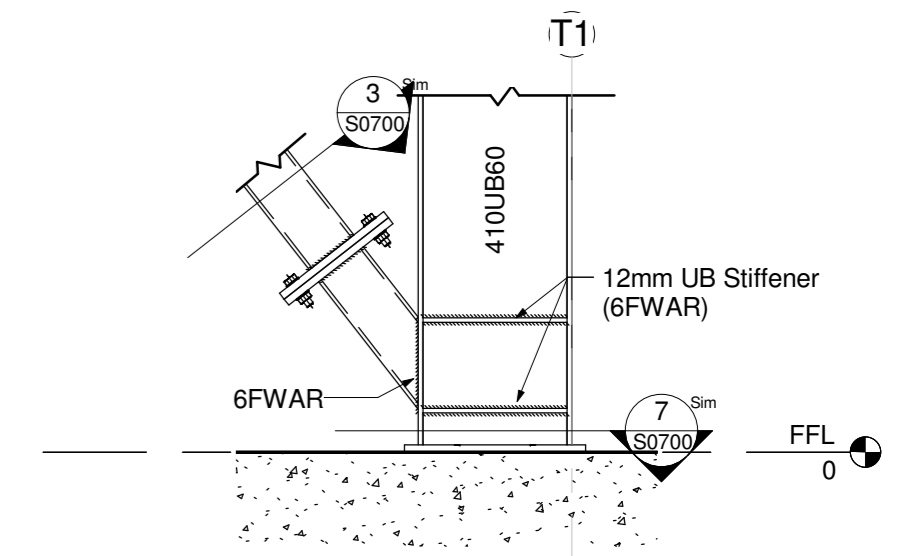
460 UB Moment End Plate
20mm plate



11 Typical Bracing with active Conn
1 : 20



12 Active Connection
1 : 10



8 GF K Brace Conn.
1 : 20

PROJECT

NZ Dairy Collaborative Group
Tower Extension

9 Ashford Ave, Ashburton

Rev#

Amendments

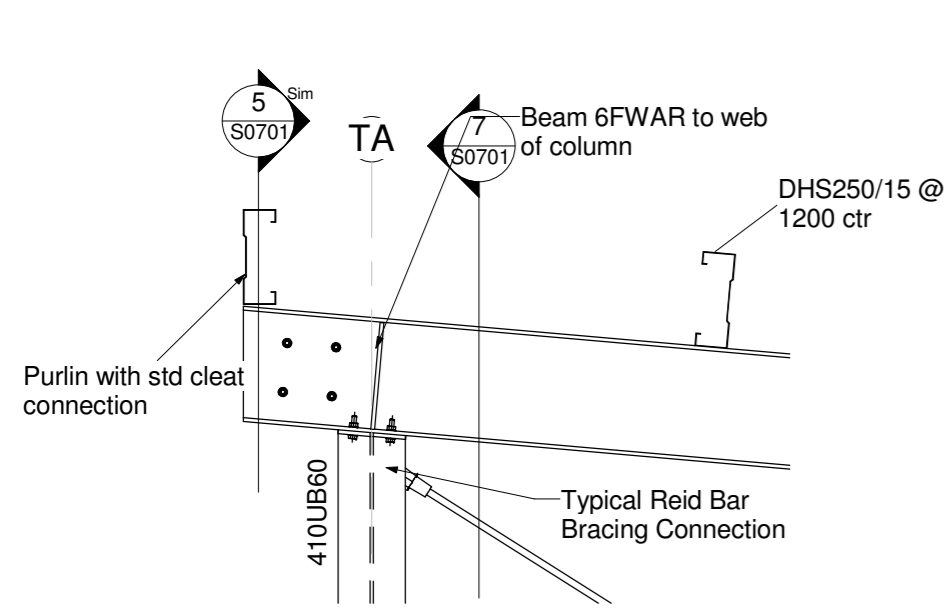
Date

SCALE	As indicated@ A2	JOB #	12630
DRAWN BY	B Holloway	DATE	27/10/16
CHECKED BY	A.Chapman	REV	
Structural Details		S0700	
Please note: All dimensions to be verified on site			
Paper size: A2			

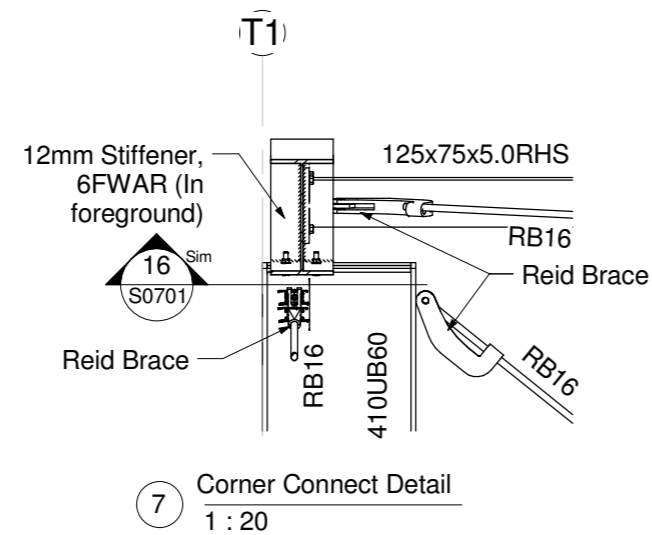


Thompson Engineering 2002 Ltd | PO Box 2081, Washdyke - Timaru | 9b Meadows Road - Timaru
PH 0800 688 716 | F (03) 688 7168 | www.thompsonengineering.co.nz | design@thompsonengineering.co.nz

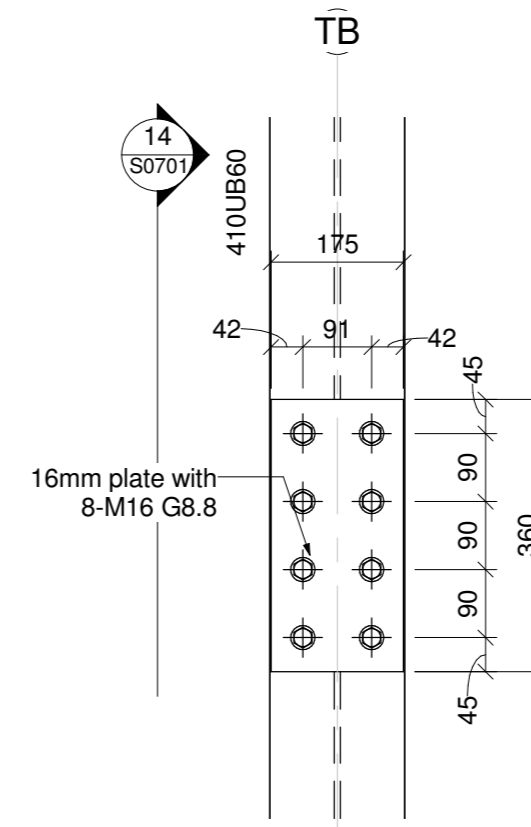
All Drawings property of Thompson Engineering 2002 Ltd



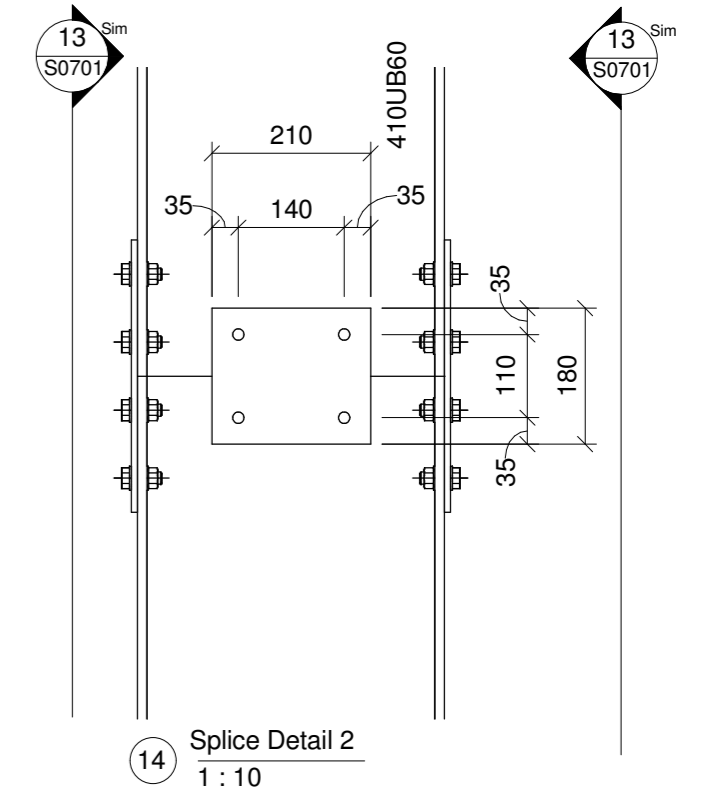
1 Apex Connection
1 : 20



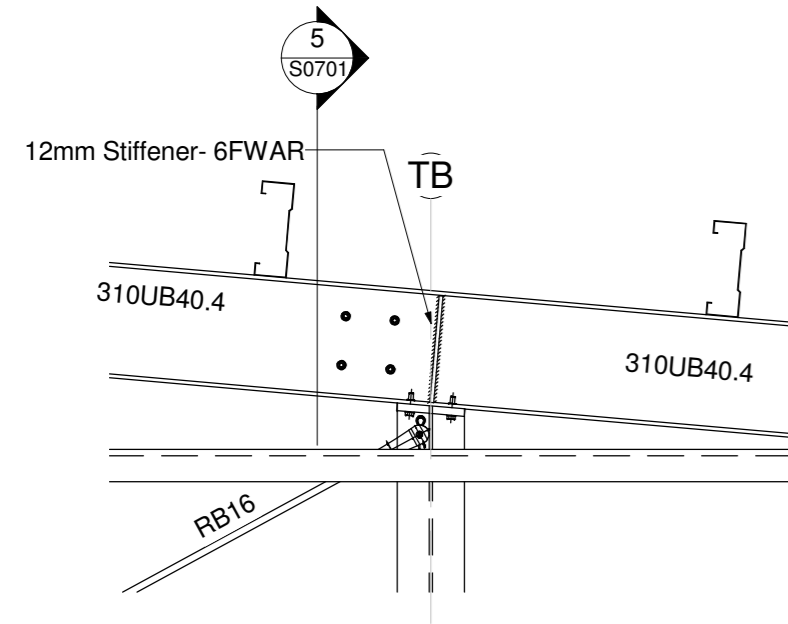
7 Corner Connect Detail
1 : 20



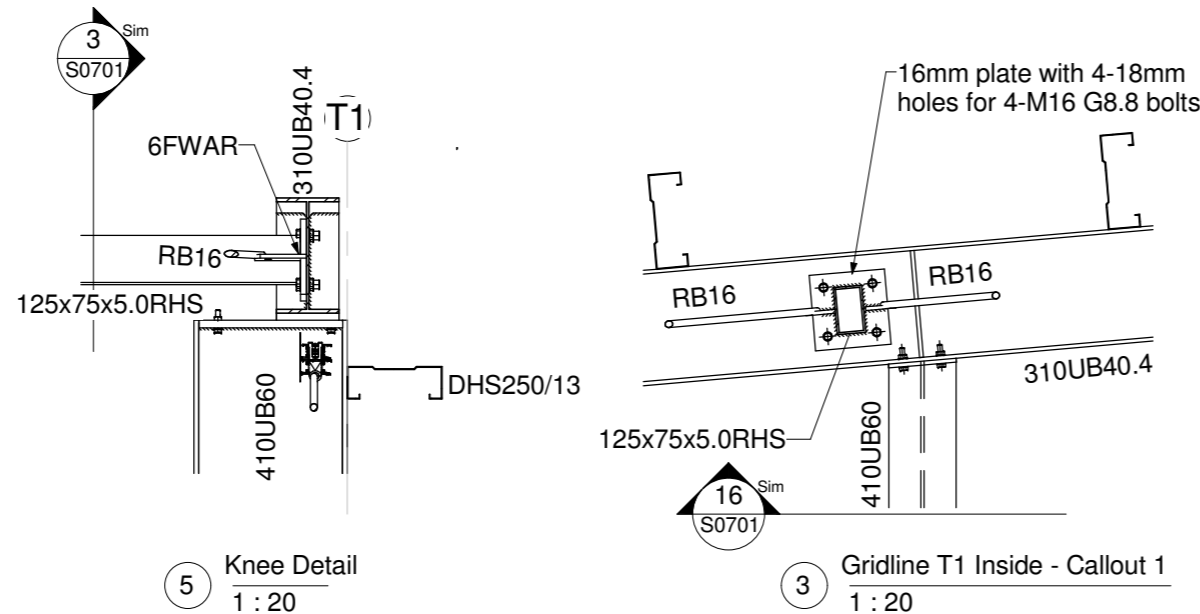
13 Splice Detail
1 : 10



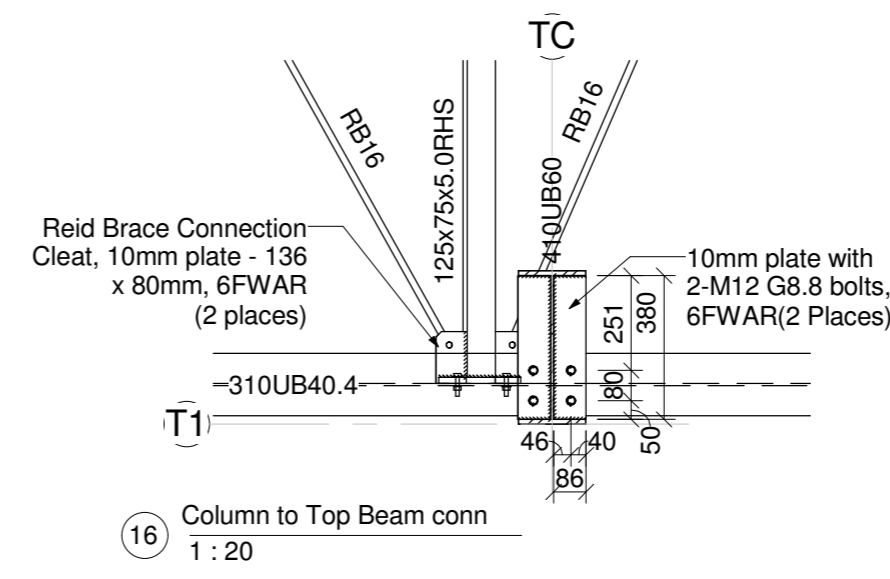
14 Splice Detail 2
1 : 10



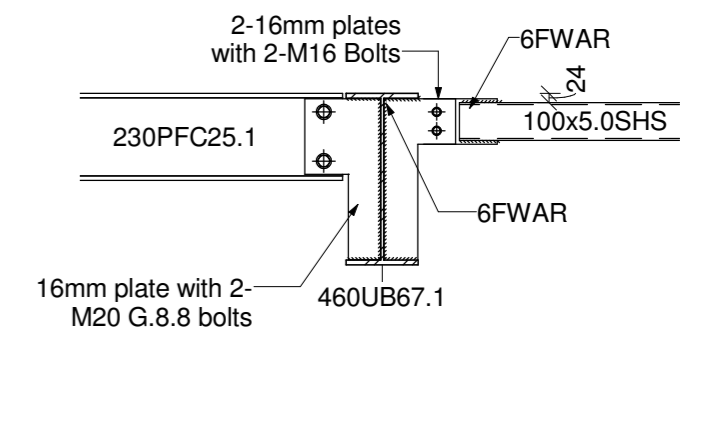
4 Mid Column Connection
1 : 20



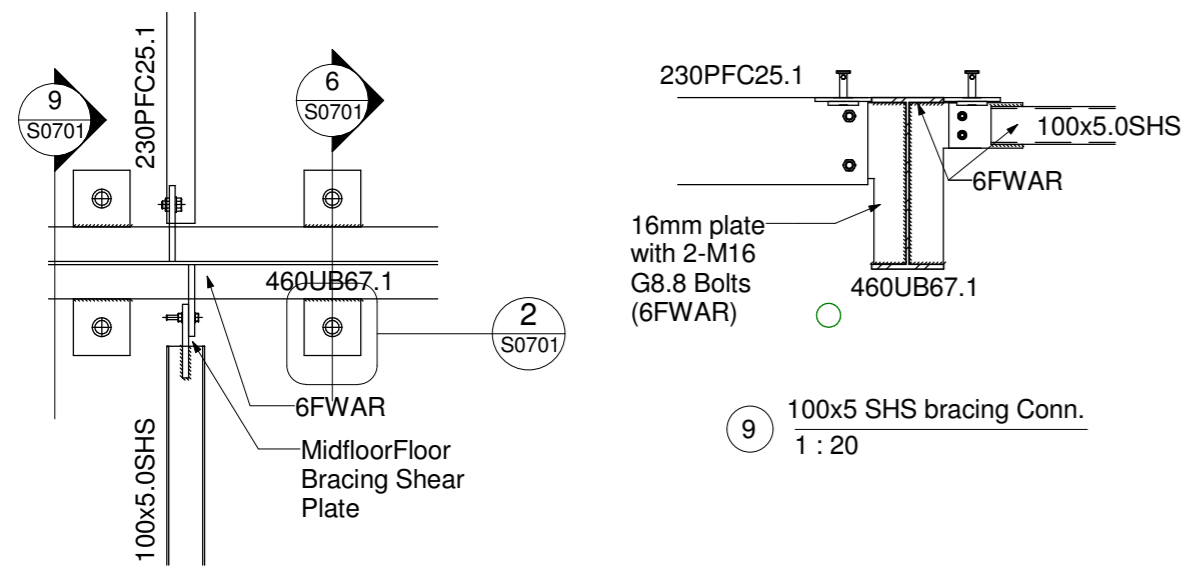
3 Gridline T1 Inside - Callout 1
1 : 20



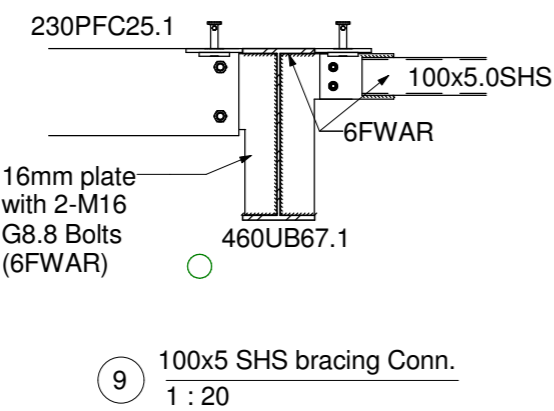
16 Column to Top Beam conn
1 : 20



15 Midfloor bracing and PFC Conn
1 : 20



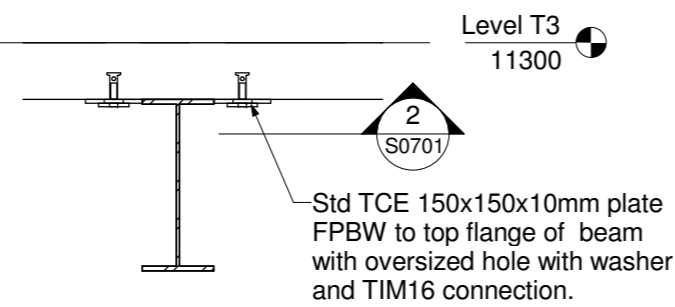
8 Midfloor Bracing Conn.
1 : 20



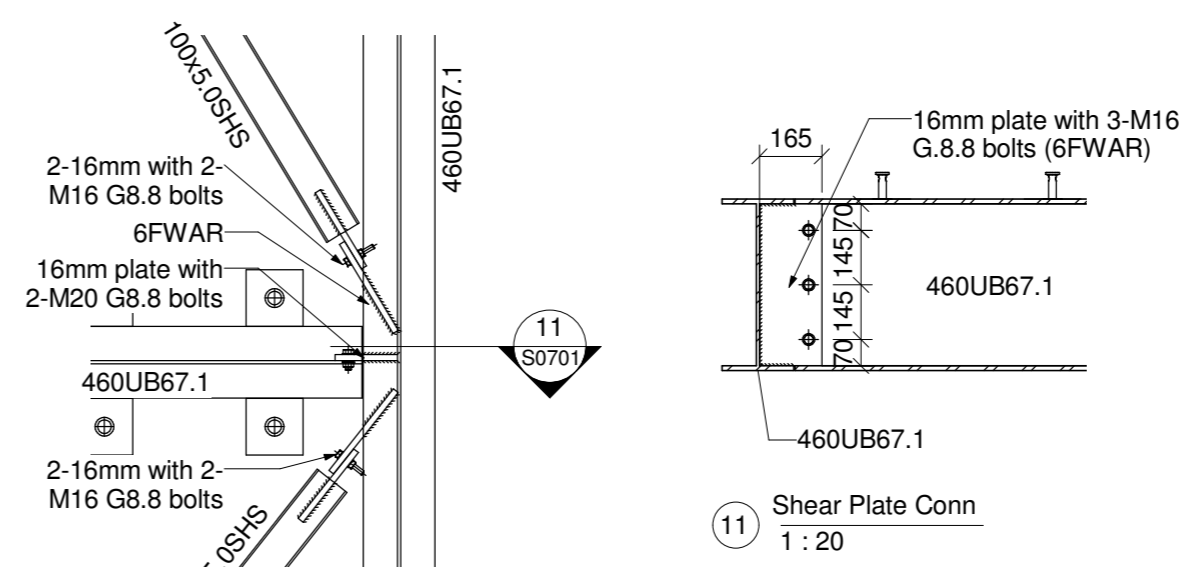
2 100x5 SHS bracing Conn.
1 : 20

ONLY ON CLEATS AT THE END OF PRECAST PLANKS:
6FW 2 sides parallel to beam
Std TCE 150x150x10mm plate FPBW to top flange of beam with oversized hole with washer and TIM16 connection.

2 Cleat Weld Detail
1 : 10

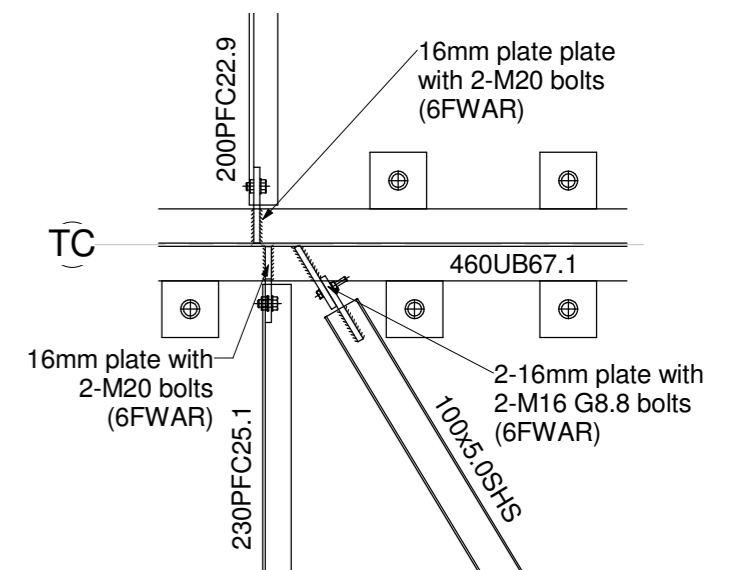


6 TIM Cross Section
1 : 20

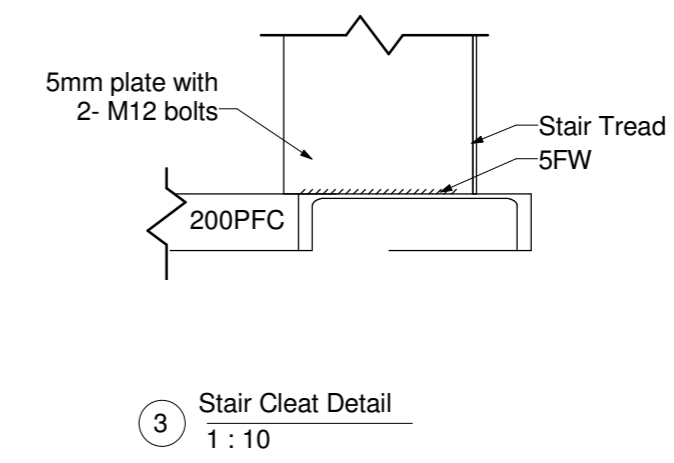
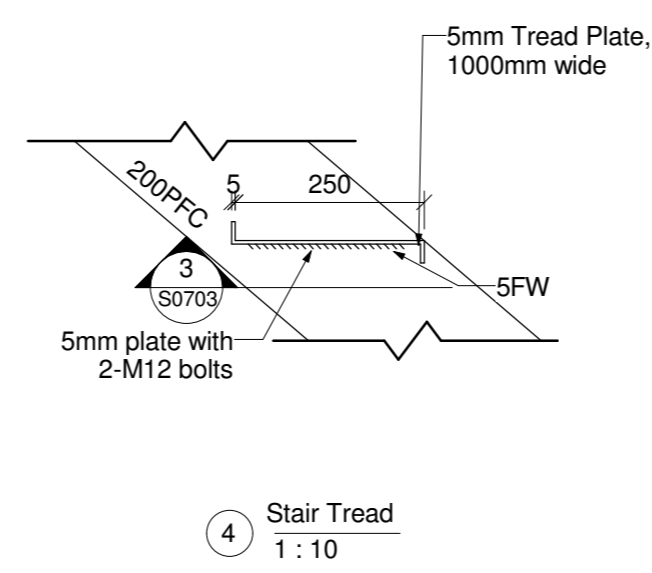
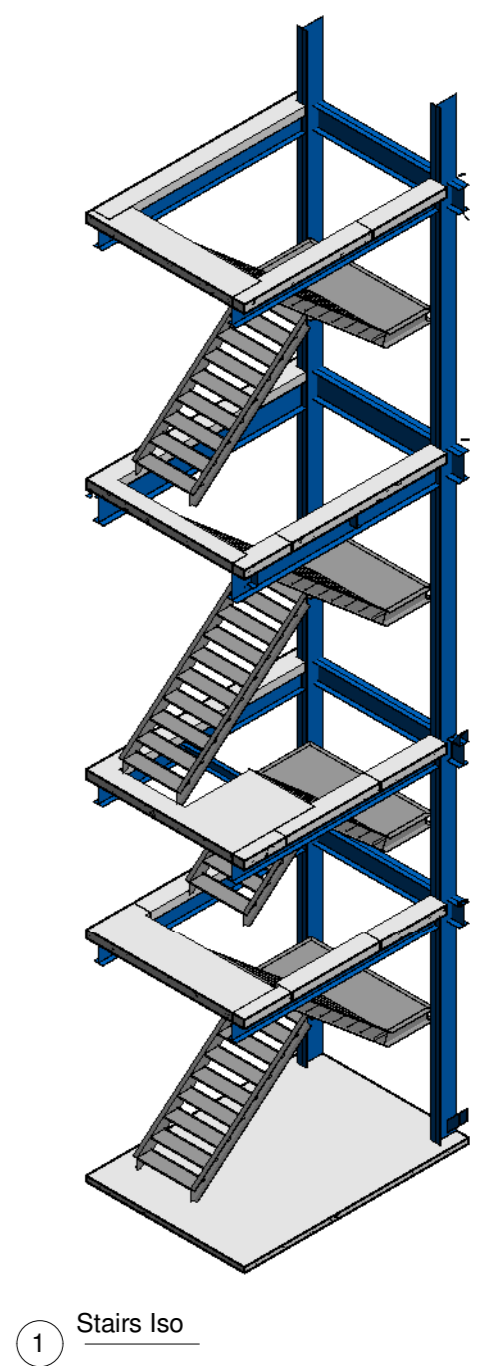
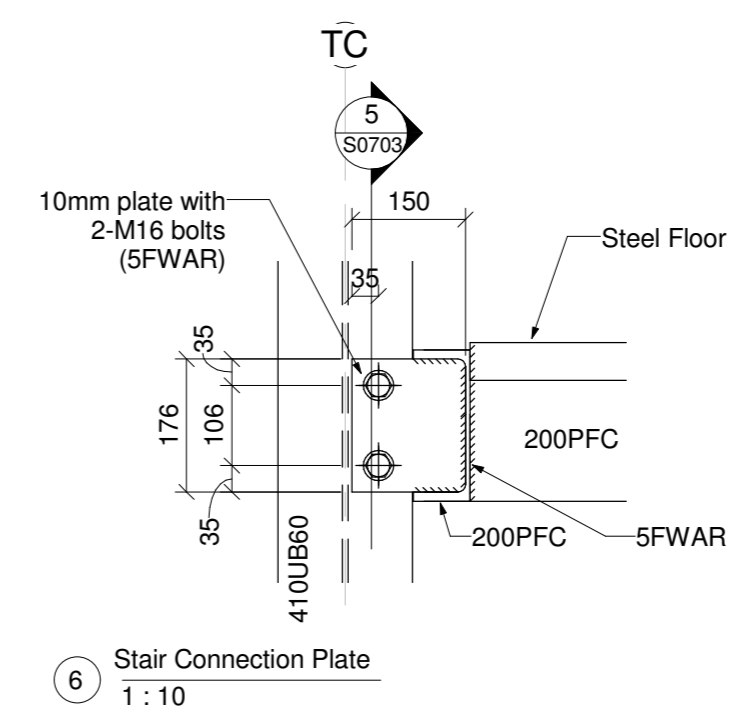
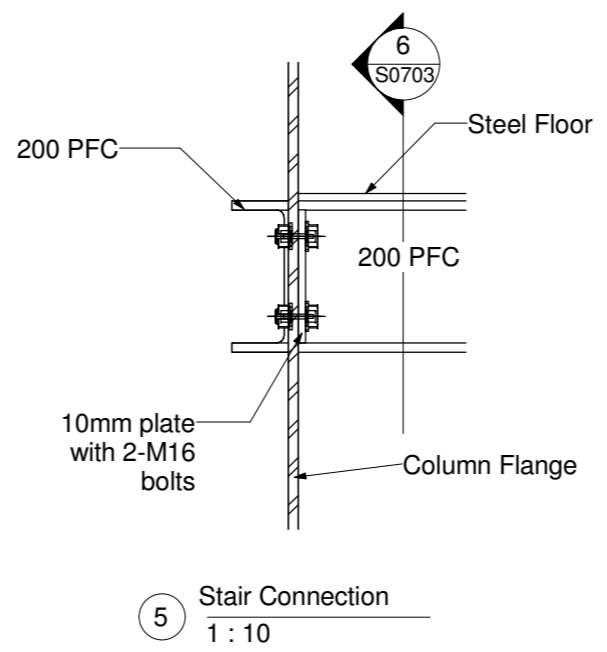
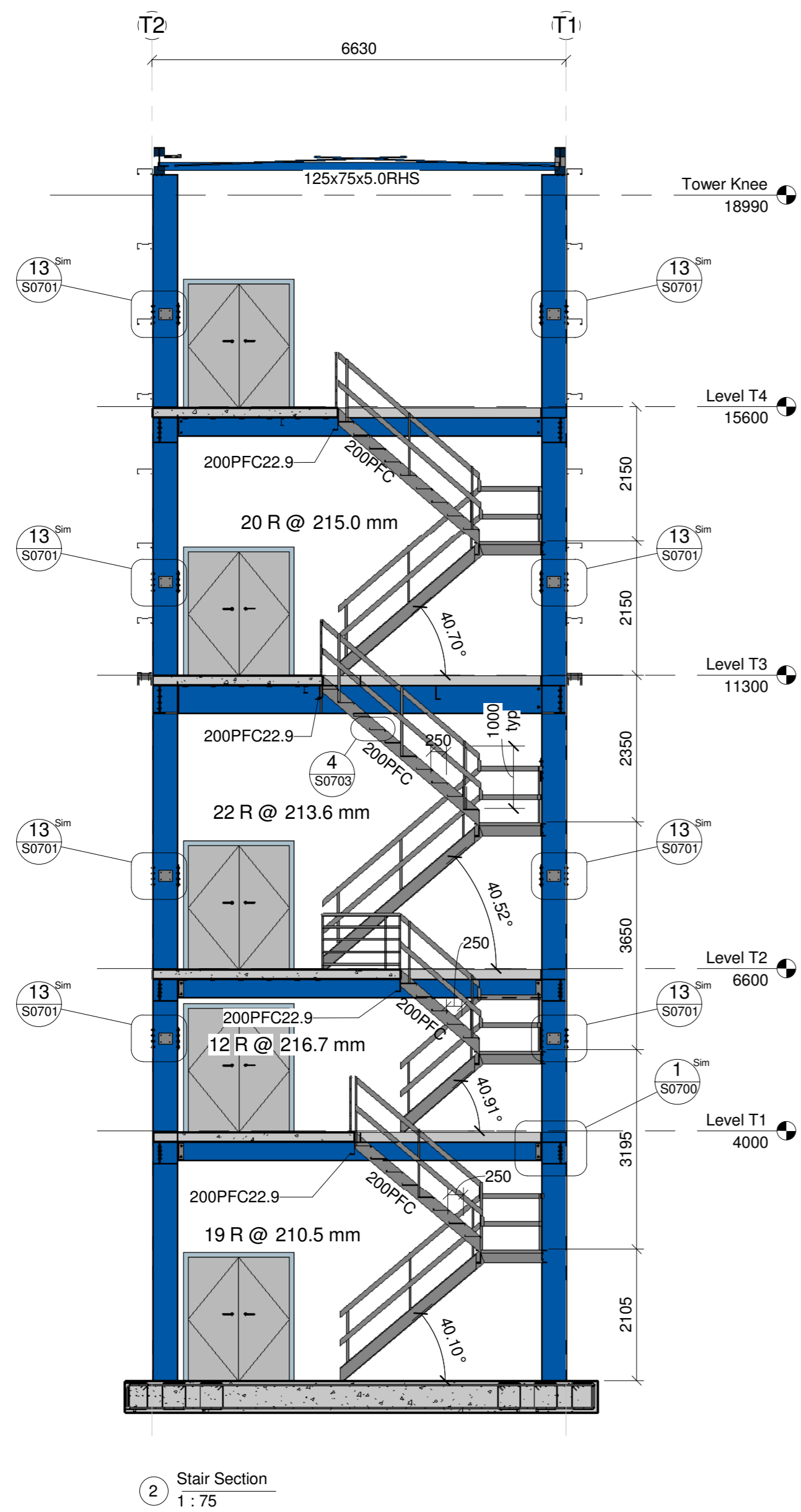


11 Shear Plate Conn
1 : 20

10 Midfloor Conn 2
1 : 20



12 Struct Level T3 Midfloor - Callout 2
1 : 20



PROJECT
NZ Dairy Collaborative Group
Tower Extension
 9 Ashford Ave, Ashburton

Rev#	Amendments	Date	SCALE	As indicated@ A2	JOB #	12630
			DRAWN BY	B Holloway	DATE	27/10/16
			CHECKED BY	A.Chapman	REV	
			Structural Details- Stairs		S0703	
Please note: All dimensions to be verified on site						Paper size: A2

Thompson Engineering 2002 Ltd | PO Box 2081, Washdyke - Timaru | 9b Meadows Road - Timaru
 PH 0800 688 716 | F (03) 688 7168 | www.thompsonengineering.co.nz | design@thompsonengineering.co.nz

All Drawings property of Thompson Engineering 2002 Ltd